

ENGLISH
ESPAÑOL

TRUPER PRO

Manual

Compact router

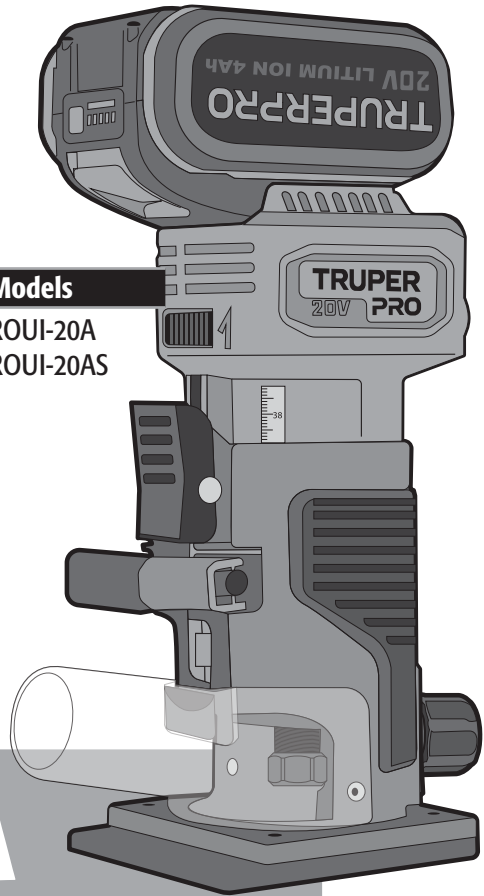
6.5 mm

1/4"

Collet

Applies for:

Codes	Models
102865	ROUI-20A
103262	ROUI-20AS







ROUI-20A

CAUTION



Read this manual thoroughly
before using the tool.



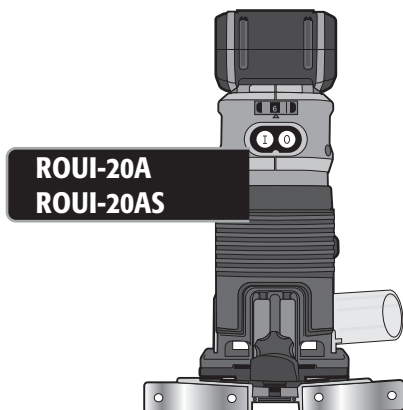
Technical data.....	3
Power requirements.....	3
 General safety warnings for electric tools.....	4
 Safety warnings for the battery charger.....	6
 Battery safety warnings.....	6
 Safety warnings for the use of routers.....	7
Parts.....	8
Preparation.....	9
Operation.....	13
Maintenance.....	15
Environmental protection.....	16
Troubleshooting.....	17
Notes.....	18
Authorized service centers.....	19
Warranty policy.....	20

CAUTION

To gain the best performance of the tool, prolong the duty life, make the Warranty valid if necessary, and to avoid hazards of fatal injuries please read and understand this Manual before using the tool.

Keep this manual for future references.

The illustrations in this manual are for reference only. They might be different from the real tool.



	ROUI-20A	ROUI-20AS
Code	102865	103262
Description	Compact router	
Voltage	20 V \equiv	
Speed	10 000 RPM- 30 000 RPM	
Collet	1/4"	
Maximum cutting depth	1-1/8"	
Battery	20 V \equiv 4Ah Li-ion battery Charging time: around 180 min	NOT INCLUDED
Charger	Input: Voltage: 127 V \sim Frequency: 60 Hz Power: 55 W Output: 11 V \equiv - 21 V \equiv Current: 2 A	NOT INCLUDED
Insulation	Class II	IP grade IP 20

The charger's power cable has cable ties type: Y
The construction class of the tool is: Class III.
The construction class of the charger is: Reinforced insulation.

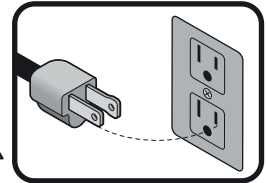
⚠ WARNING Avoid the risk of electric shock or severe injury. When the power cable gets damaged it should only be replaced by the manufacturer or at a TRUPER Authorized Service Center. The build quality of the electric insulation is altered if spills or liquid gets into the tool while in use. Do not expose to rain, liquids and/or dampness.

⚠ WARNING Before gaining access to the terminals all power sources should be disconnected.



Power requirements

⚠ WARNING Tools with double insulation and reinforced insulation are equipped with a polarized plug (one prong is wider than the other) This plug will only fit in the right way into a polarized outlet. If the plug cannot be introduced into the outlet, reverse the plug. If it still doesn't fit, call a qualified electrician to install for you a polarized outlet. Do not alter the plug in any way. Both insulation types eliminate the need of both a grounded third power cord with three prongs or a grounded power connection.



⚠ WARNING When using an extension cable, verify the gauge is enough for the power that your product needs. A lower gauge cable will cause voltage drop in the line, resulting in power loss and overheating. The following table shows the right size to use depending on cable's length and the ampere capability shown in the tool's nameplate. When in doubt use the next higher gauge.

Ampere Capacity	Number of Conductors	Extension Gauge	
		Fromm 1.8 m to 15 m	Greater than 15 m
From 0 A and up to 10 A	3 (one grounded)	18 AWG(*)	16 AWG
From 10 A and up to 13 A		16 AWG	14 AWG
From 13 A and up to 15 A		14 AWG	12 AWG
From 15 A and up to 20 A		8 AWG	6 AWG

* It is safe to use only if the extensions have a built-in artifact for over current protection.
AWG = American Wire Gauge. Reference: NMX-J-195-ANCE

⚠ WARNING When operating power tools outdoors use **volteck** grounded extension cable labeled "For Outdoors Use". These extensions are specially designed for operating outdoors and reduce the risk of electric shock.





! WARNING! Read all safety warnings, instructions, illustrations, and specifications provided with this power tool. Failure to follow any of them may result in electric shock, fire, and/or serious injury. **Keep the warnings and instructions for future reference.**

The term "power tool" in the warnings refers to your corded (plugged-in) or cordless (battery-operated) power tool.

Work area

Keep your work area clean, organized, and well-lit.

Cluttered and dim areas can lead to accidents.



Do not operate the tool in explosive atmospheres, such as in the presence of flammable liquids, gas, or dust.

The electric tools produce sparks that can ignite flammable material.



Keep children and other individuals at a safe distance while using the equipment.

Distractions can cause loss of control and lead to accidents.



Electrical safety

Electrical tool plugs must match the outlet. Never modify the plug in any way. Do not use adapters with grounded electrical tools.

Unmodified electrical tools and matching plugs will reduce the risk of electric shock.



Avoid bodily contact with grounded surfaces, such as pipes, radiators, stoves, and refrigerators.

There is an increased risk of electric shock if your body is grounded.

Do not expose the tool to rain or humid conditions.

Water entering the tool increases the risk of electric shock.

Do not force the cable. Never use the cable for carrying, lifting, or disconnecting the tool. Keep the cable away from heat, oil, sharp edges, or moving parts.

Damaged or tangled cables increase the risk of electric shock.

When operating an electrical tool outdoors, use an extension cord suitable for outdoor use.

The use of a suitable outdoor-rated cable reduces the risk of electric shock.

If it is unavoidable to operate an electrical tool in a damp location, use a power source protected by a Residual Current Device (RCD).

The use of a Residual Current Device (RCD) reduces the risk of electric shock.

Personal safety

Be alert, watch what you are doing, and use common sense when handling a tool. Do not use it if you are tired or under the influence of drugs, alcohol, or medication.

A moment of distraction while using the tool can cause personal injury.

Use safety equipment. Always wear eye protection.

The use of safety equipment such as safety glasses, dust mask, slip-resistant shoes, helmet, and ear protection in appropriate conditions significantly reduces the risk of personal injury.



Avoid accidental starts. Ensure the switch is in the "off" position before connecting to the power source and/or the battery or transporting the tool.

Carrying power tools with your finger on the switch or connecting power tools with the switch in the "on" position can cause accidents.

Remove any wrenches or adjusting tools before starting the power tool.

Wrenches or tools left on the rotating parts of the tool can cause personal injury.



Do not exceed your range of motion. Always keep good balance and support.

This allows better control of the tool in unexpected situations.

Dress appropriately. Do not wear loose clothing or jewelry. Keep your hair, clothing, and gloves away from moving parts.

Loose clothes, jewelry, or long hair can get caught in moving parts.



If dust extraction and collection devices are available for the tool, check their connections and use them correctly.

The use of these devices reduces risks associated with dust.

Do not let familiarity gained from frequent use of tools lead to complacency and disregard tool safety principles.

Careless action can cause serious injuries in a matter of seconds.

Tool use and care

Do not force the tool. Use the appropriate tool for the task at hand.

The right tool performs better and is safer when used at the intended pace.

Do not use the tool if the switch is not functioning.

Any power tool that cannot be controlled is dangerous and must be repaired.

Disconnect the tool from the power source and/or battery before making any adjustments, changing accessories, or storing it.

These measures reduce the risk of accidentally starting the tool.

Store the tools out of the reach of children and do not allow them to be handled by individuals unfamiliar with the tools or their instructions.

Power tools are dangerous in untrained hands.



Maintain the tool. Ensure that the moving parts are not misaligned or jammed, and that there are no broken parts or other conditions that may affect its operation. Repair any damage before using the tool.

Many accidents are caused by inadequate tool maintenance.

Keep cutting accessories sharp and clean.

Well-maintained cutting accessories are less likely to jam and easier to control.

Use the tool, its components, and accessories in accordance with these instructions and consider working conditions and the task at hand.

Using the tool for applications other than those for which it is designed could cause a hazardous situation.

Keep handles and gripping surfaces dry, clean, and free from oil and grease.

Slippery handles and gripping surfaces do not allow for safe and controlled handling of the tool in unexpected situations.

Use and care of the battery-powered tool

Only recharge with the charger specified by the manufacturer.

A charger that is suitable for one type of battery can pose a fire risk when used with a different one.

Use power tools only with designated batteries.

The use of any other battery may create a risk of injury and fire.

When batteries are not in use, keep them away from other metallic objects such as paper clips, coins, keys, nails, screws, or other small metallic objects that may create a connection from one terminal to another.

Short-circuiting between battery terminals can cause burns or fires.

In abusive conditions, battery liquid may be expelled; avoid contact. If accidental contact occurs, rinse with water. If the liquid meets the eyes, seek medical assistance.

The liquid expelled by the battery can cause irritation or burns.

Do not use a battery or tool that is damaged or modified.

Damaged or modified batteries can exhibit unpredictable behavior, resulting in fires, explosions, or injury risks.

Do not expose a battery or tool to fire or excessive temperatures.

Exposure to fire or temperatures exceeding 265 °F can cause an explosion.

Follow all charging instructions, and do not charge the battery or tool outside the temperature range specified in the instructions.

Incorrectly charging or charging at temperatures outside the specified range can damage the battery and increase the risk of fire.

Service

Have your power tool repaired by a qualified person using only identical replacement parts.

This will ensure the safety of the power tool.

Never repair damaged batteries.

Battery service should only be performed by the manufacturer or authorized service providers.



This tool is in compliance with the Official Mexican Standard (NOM - Norma Oficial Mexicana).

⚠ WARNING! Read all safety warnings and instructions. Failure to follow warnings and instructions can result in electric shock, fire, and/or serious injury.

Keep all warnings and instructions for future reference.

• This appliance is not intended for use by persons (including children) with reduced physical, sensory, or mental capabilities, or lack of experience and knowledge, unless they have been given supervision or instruction concerning the use of the appliance by a person responsible for their safety.

• Children should be supervised to ensure that they do not play with the appliance.

If the power cord is damaged, it must be replaced by the manufacturer, its service agent, or similarly qualified persons to avoid hazards.

Additional safety instructions for the battery charger

- Before charging, read the instructions.
- Do not charge a leaking battery.
- Do not use chargers for tasks other than those they are designed for.
- Before charging, ensure that your charger matches the local AC power source.
- For indoor use only, or do not expose it to rain.
- The charging device must be protected from moisture.
- Do not use the charging device outdoors.

- Do not short-circuit the battery or charger contacts.
- Respect the "+/-" polarity when charging.
- Do not open the unit and keep it out of reach of children.
- Do not charge batteries from other manufacturers or unsuitable models.
- Ensure that the connection between the battery charger and the battery is correctly positioned and not obstructed by foreign objects.
- Keep the battery charger spaces free from foreign objects and protect them against dirt and moisture. Store in a dry place free from cold.
- When charging batteries, ensure that the battery charger is in a well-ventilated area and away from flammable materials. Batteries can heat up during charging. Do not overcharge any battery. Ensure that batteries and chargers are not left unattended during charging.
- Do not recharge non-rechargeable batteries, as they can overheat and break down.
- To increase battery lifespan and performance, charge the battery when the air temperature is between 64 °F and 75 °F. Do not charge batteries at air temperatures below 32 °F or above 104 °F. This is important to prevent serious damage to the batteries.

Battery safety warnings

- Do not dismantle, open, or disassemble cells or the battery.
- Do not short-circuit the battery. Do not store batteries carelessly in a box or drawer where they can short-circuit with each other or be short-circuited by conductive materials. When not in use, keep batteries away from any metallic objects such as clips, coins, keys, nails, screws, or any other object that could cause the terminals to make contact; this could lead to a short circuit that may cause burns or fires.
- Do not expose the battery to heat or fire. Avoid storing it under the sunlight.
- Do not subject the battery to mechanical shocks.
- In case of battery leakage, do not allow the liquid to meet the skin or eyes. If contact occurs, thoroughly wash the area with water and seek medical help.
- Keep the battery clean and dry.
- If the battery gets dirty, clean the battery terminals with a clean, dry cloth.
- The battery must be charged before use. Always refer to these instructions and use the correct charging procedure.

- Do not leave the battery charging when not in use.
- After long periods of storage, it may be necessary to charge and discharge the battery several times to achieve maximum performance.
- Only recharge the battery with the charger specified by TRUPER. Do not use any charger not specifically provided for the equipment.
- Do not use any battery that is not designed for this equipment.
- Keep the battery out of the reach of children.
- Keep the original product manual for future reference.
- Remove the battery from the equipment when not in use.
- Dispose of properly.
- Do not mix cells from different manufacturers, capacities, sizes, or types within a device.
- Keep the battery away from microwaves and high pressures.

⚠ WARNING • Do not use non-rechargeable batteries.

Safety warnings

for the use of routers

TRUPER PRO

⚠ WARNING **KICKBACK RISK.** Kickback refers to the sudden and forceful movement that the tool experiences outward from the workpiece and can cause the operator to lose control or even result in an injury. This usually happens when the cutting bit gets stuck in the workpiece or due to improper operation. To avoid this, the following precautions must be taken:

⚠ CAUTION • Use sharp cutting bits and ensure they are properly installed. Dull, damaged, or improperly installed bits tend to get stuck in the material, leading to kickback.

⚠ CAUTION • When operating the router, firmly grasp it by the anti-slip handle. Keep your body well-balanced and in a stable position with both feet on the ground to withstand the force of potential kickback.

⚠ CAUTION • Wait for the cutting bit to reach its maximum speed before starting to cut. Do not turn on the tool with the bit resting on the workpiece, as it could cause a kickback.

• To restart cutting, center the bit in the cut.

⚠ CAUTION • If the cut is interrupted during router operation, turn off the switch and hold the tool within the workpiece until the motor stops completely. Do not attempt to remove the bit while the motor is still running, as it could cause kickback.

⚠ CAUTION • To minimize the risk of the bit getting stuck and causing kickback, remove all nails from the wood before cutting. Wet, warped, or pressure-treated wood requires special attention during cutting. Hardened wood gum and resin on the cutting bits slow down the router. Use gum and resin remover, hot water, or kerosene to remove these buildups. DO NOT use gasoline.

⚠ CAUTION • Before starting any cut, ensure that the cutting depth adjustment knobs are tightened and secured. If they move during cutting, they can cause kickback.

⚠ CAUTION • Excessive depth cuts and/or using large diameter bits increase the load on the unit and the possibility of kickback. Make multiple passes with the router at progressive depths when the job requires removing a lot of material or when using large diameter bits.

⚠ DANGER • Keep your hands away from the cutting area and the cutting bit. When operating the tool, hold it firmly with the anti-slip handle to avoid accidental injuries and prevent loss of control.

⚠ WARNING • Accidental contact with a rotating cutting bit can cause serious personal injuries.

⚠ DANGER • NEVER hold the workpiece with your hands or against your leg. Hold the workpiece properly to avoid body contact with the cutting bit, prevent the bit from getting stuck, or losing control of the tool or workpiece.

⚠ DANGER • Do not attempt to remove waste material while the cutting bit is spinning.

⚠ WARNING • Never put your hand under the workpiece with the tool running.

⚠ CAUTION • Before each use, check that all parts are properly functioning; if something is not working, service it before operating the tool.

⚠ WARNING • Remove the cutting bit before transporting the tool.

⚠ CAUTION • Operating the tool by holding its insulated parts prevents the operator from getting shocked in case the blade contacts hidden electrical wiring.

• Always wear safety goggles with side protection. If dust is produced, also use a dust mask.



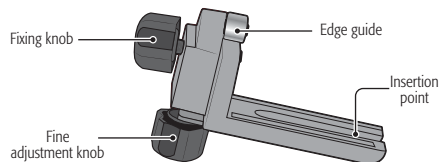
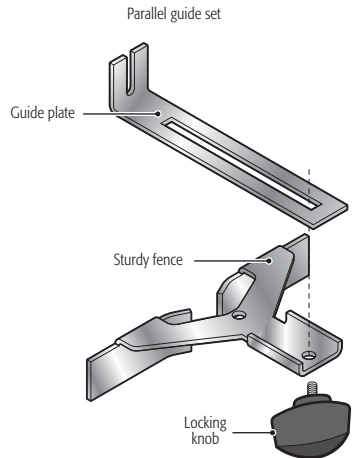
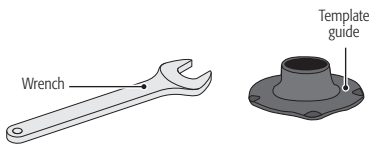
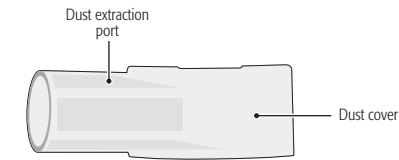
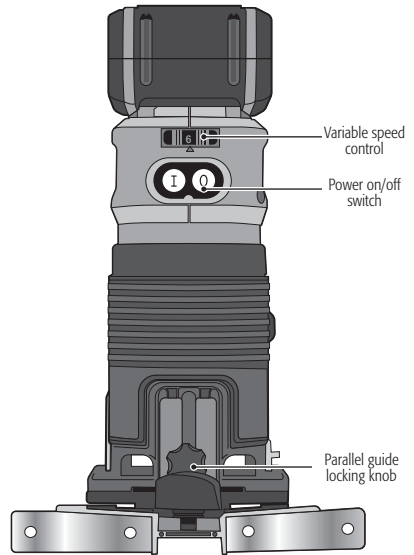
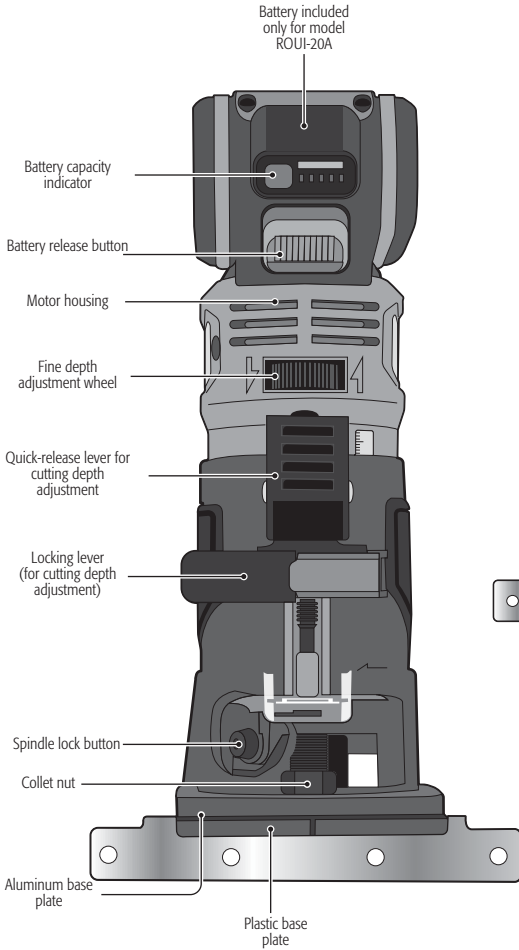
Toxic materials

The generated dust, when cutting certain materials, contains chemicals known to cause health damage. To reduce chemicals exposure, work in well-ventilated areas and use appropriate safety equipment, such as dust masks specifically designed to filter microscopic particles.



Safety warnings for router

Use clamps or another practical method to secure and support the workpiece on a stable platform. Holding the workpiece by hand or against the body makes it unstable and can lead to loss of control.



NOTE: Before using the tool, carefully read the instruction manual.

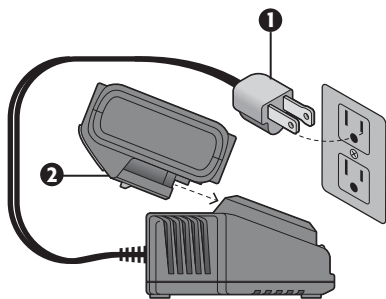
Intended use

This product is intended for making slots, edges, profiles, and elongated holes in wood, plastic, and lightweight construction materials. The product should be used in a vertical position. Never use it for overhead work or on vertical surfaces.

Charging procedure

- Connect the charger to a suitable socket. The green light will illuminate.
- Slide the battery into the charger, ensure the battery is firmly placed in the correct charging position. The green light will turn off, and the red light will illuminate to indicate that the charging process has started.
- When charging is complete, the red light will turn off, and the green light will illuminate.
- After fully charging, unplug the charger and remove the battery pack.

⚠ WARNING When the battery is depleted after continuous use or direct exposure to sunlight or heat, allow the tool to cool before recharging for a full charge.



Battery status check

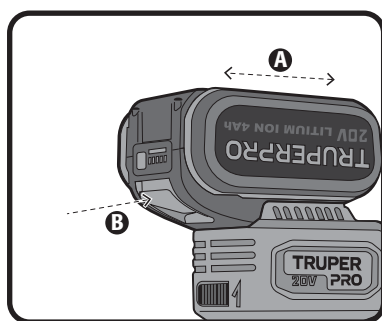
Before starting or after use, press the button next to the lights to check the battery status.

Battery installation

Slide the fully charged battery into the tool with enough force until it clicks into place (A).

Battery removal

Press the Battery Pack Release Button firmly first, and then slide the battery out of the tool (B).



Assembly and adjustment

⚠ WARNING The router must be fully assembled before operation. Do not install the battery until the router is fully assembled!

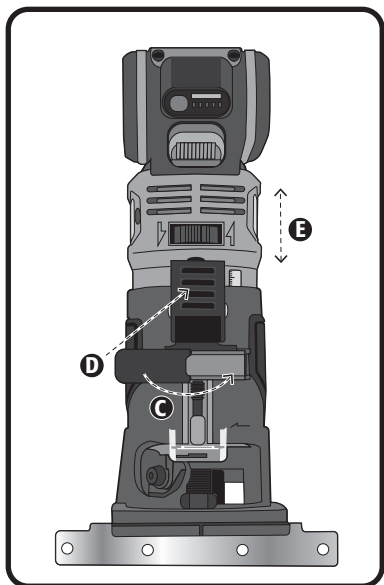
1. To insert or remove a router bit (not supplied)

Router bits with a 1/4-inch or 6 mm shank can be used for this router. Below are the most common shapes for your reference.

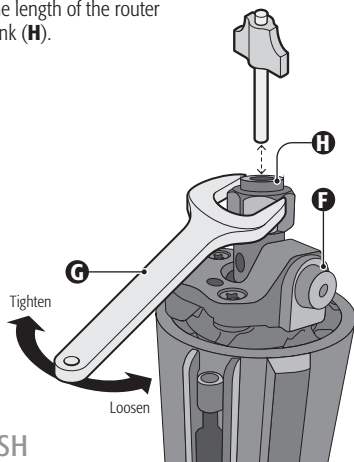
⚠ WARNING Always ensure that the router bit's shank diameter fits the chuck installed in the router. Never use a router bit with a shank diameter that does not fit the chuck.

Insertion

1. First, open the cutting depth locking lever (C).
2. Press the quick-release lever and hold it in position (D).
3. Carefully grip the router body, slowly move it upward, and remove it from the base (E).



4. Slightly rotate the spindle and press the spindle lock button until the spindle lock button is precisely engaged in the spindle hole (F).
5. Continue pressing and holding the spindle lock button in place to lock the spindle. Loosen the clamping nut counterclockwise using the supplied wrench (G).
6. Insert a suitable router bit into the clamping nut at least 3/4 of the length of the router bit's shank (H).



7. Tighten the clamping nut clockwise using the supplied wrench.
8. Release the spindle lock button and ensure that the spindle can rotate freely.

Removal

1. First, open the cutting depth locking lever. Press the quick-release lever and hold it in position. Carefully grip the body of the router, slowly move it upward, and remove it from the base.
2. Slightly rotate the spindle and press the spindle lock button until the spindle lock button is precisely engaged in the spindle hole.
3. Continue pressing and holding the spindle lock button in place to lock the spindle. Loosen the clamping nut counterclockwise using the supplied wrench.
4. Remove the router bit and tighten the clamping nut clockwise using the supplied wrench.
5. Release the spindle lock button and ensure that the spindle can rotate freely.

⚠ WARNING Do not tighten the collet without a router bit installed.

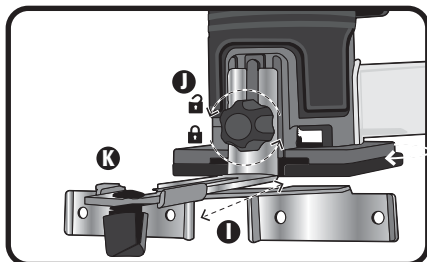
Always use router bits with shanks that match the collet diameter.

2. Parallel guide

Insert the parallel guide to make parallel cuts to the edges of the workpiece.

To install the parallel guide

- Assemble the parallel guide using the locking screw and wing nut with its washer as indicated in the parts diagram.
- Loosen the parallel guide fixing knob counterclockwise (I).
- Align the parallel guide with the mounting position on the base plate.
- Secure the parallel guide in place by tightening the parallel guide fixing knob clockwise.



Adjustment of the parallel guide

- Loosen the parallel guide locking nut counterclockwise (**K**).
- Slide the parallel guide to the desired working position (**I**).
- Secure the parallel guide in the working position by tightening the locking knob (**K**) clockwise.

When cutting, always ensure that the parallel guide is flush with the side of the workpiece.

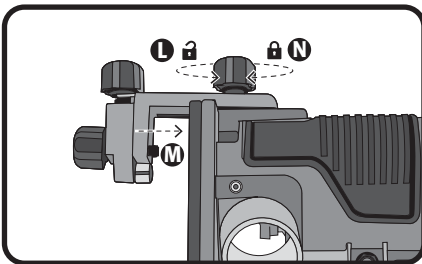
If the distance between the side of the workpiece and the cutting position is too wide for the parallel guide, or if the side of the workpiece is not straight, firmly clamp a straight guide to the workpiece and use it as a guide against the base plate.

3. Roller guide

The roller guide mount is used for edge routing with router bits for the router without a pilot guide or ball bearing. The roller will be placed along the edge of the workpiece to guide the machine with uniform feed.

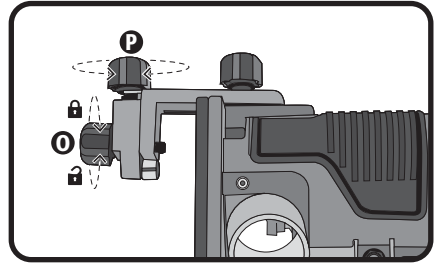
To install the roller guide

- Loosen the parallel guide fixing knob counterclockwise (**L**).
- Align the roller guide mount with the mounting position on the base plate and insert it into the desired working position (**M**).
- Secure the roller guide mount in position by tightening the parallel guide fixing knob clockwise. To adjust the roller guide (**N**).



Adjust the roller guide

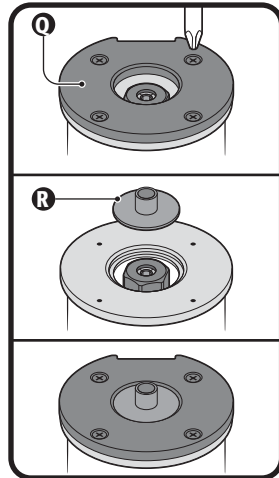
- Loosen the roller guide mount fixing knob (**O**) counterclockwise.
- Turn the fine adjustment knob (**P**) to position the roller at the desired working position.
- Secure the roller in the working position by tightening the fixing knob clockwise.



4. Copy guide

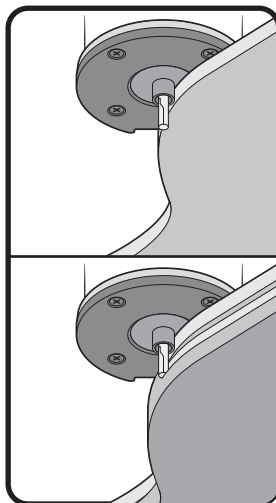
⚠ WARNING Use the template guide only for template applications! Always remove the template guide when using the product for other applications!

- Use a screwdriver to remove the 4 screws and washers from the bottom side of the base plate (**Q**).
- Remove the plastic part from the base plate.
- Place the copy guide inside the base plate with the neck facing down (**R**).
- Reassemble the plastic part of the base plate and secure it with 4 screws with washers.
- Follow the steps in reverse order to remove the template guide.



Template cuts

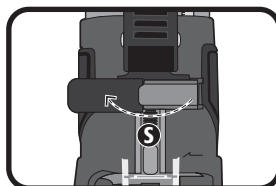
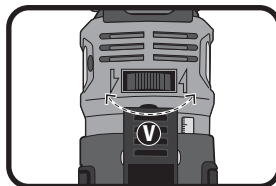
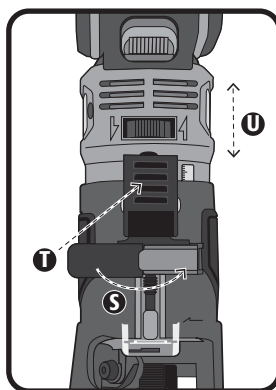
- Place the appropriate template guide on the product.
- Place the template over the workpiece and secure it with suitable clamps. Ensure that the clamps do not obstruct the movement of the product.
- Place the product on the workpiece with the neck of the template guide against the edge of the template.
- Apply light pressure against the template during operation to ensure that the template guide is flat against the edge of the template.



5. Cutting depth adjustment

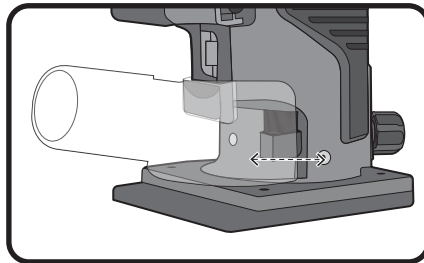
⚠ WARNING Do not insert the battery before making any adjustments to the router.

- First, open the cutting depth locking lever (S).
- Press the quick-release lever (T) and hold it in position. Carefully grip the body of the router and move it slowly up or down to the required position so that the installed router bit is close to the surface of the workpiece. Release the quick-release lever to lock the position of the router body (U).
- Move the fine adjustment wheel (V) left or right as needed for micro-adjustment of the router body (up or down slightly) so that the router bit touches the surface of the workpiece.
- Return the locking lever (S) to its initial position to lock the height adjustment.



6. Dust cover installation

The router comes with a dust cover for dust collection. To install it, simply place the two small, raised cylinders into the corresponding holes located on both sides of the outer aluminum casing.

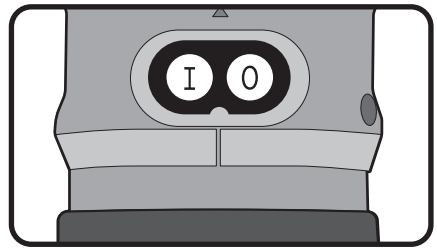


Operation

Power on and off

⚠ WARNING Before installing the battery, ensure that the tool is turned off.

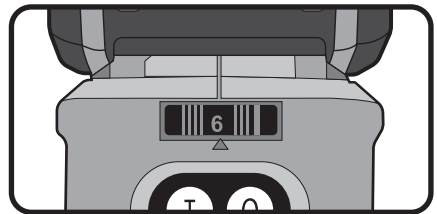
- Press the power on/off switch to "I" for a few seconds to turn on the router.
- Press the power on/off switch to "O" to turn off the router. The router will turn off immediately.



Variable speed control

Adjust the speed to the required level by turning the variable speed control.

- Turn the variable speed control to a higher number to increase the speed. A higher setting is suitable when using large diameter router bits or working on hard materials like wood.
- Turn the variable speed control to a lower number to decrease the speed. A lower setting is suitable when using small diameter router bits or working on soft materials like plastic.



Recommended rotation speed

Generally, use lower settings for large diameter router bits and higher settings for small diameter router bits. The correct setting will also depend on the material density, cutting depth, and feed rate of the router.

Materials	Speed stages
Hardwoods (example: beech)	4-6
Softwoods (example: pine)	5-6
Particleboard	3-5
Plastic	2-3
Aluminum	1-4

NOTE: The above values are for guidance only and may vary depending on the actual workpiece.

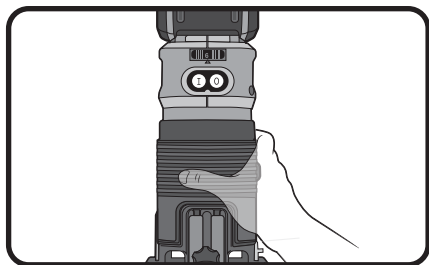
General routing

⚠ WARNING During operation, fine dust will be generated! Use a dust mask.

- Ensure that the workpiece is free from obstacles such as nails or screws before operation. Remove them if necessary.
- Always install the desired router bit.
- Firmly grip the router with one hand on its body before turning it on.
- Always wait until the router bit has reached its full speed before cutting.
- Move the router forward/backward at a slow and steady speed. Pay attention to the feed direction.
- Stop the router at the end of the cut, release the power on/off switch, and wait until the router bit has completely stopped before removing the router from the workpiece.

⚠ WARNING Always ensure that the base is flat on the workpiece during operation! Do not attempt to make cuts with the router held with only one hand!

NOTE: Keep the router always moving, do not stop in one position to avoid high temperatures.



NOTE: Moving the tool forward too quickly can result in poor cutting quality, damage to the router bit, or motor damage. Moving the tool forward too slowly can result in router bit damage due to heat. Before starting the cut on the actual workpiece, it is recommended to perform a test cut on a piece of scrap wood. This will show exactly how the cut will look and what the dimensions will be.

When using the parallel guide or roller guide, ensure to keep it on the right side of the router bit. This helps to keep it flush with the workpiece surface.

Since excessive cutting can overload the motor, the depth of cut should not be more than 3 mm. If you require a depth greater than 3 mm, make multiple passes with progressively deeper router bit settings.

Place the base on the workpiece to be cut without making any contact with the router bit. Turn on the tool and wait until it reaches full speed. Move the tool forward over the workpiece surface. Ensure the base is flush and advance smoothly until the cut is complete.

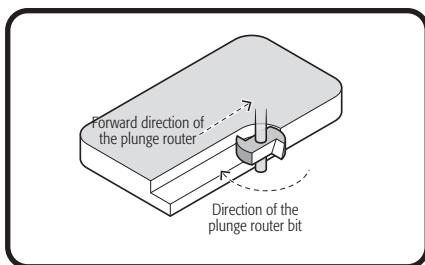
For edge cutting, keep the workpiece to the left of the router bit in the feed direction.

Feed direction

⚠ WARNING The router direction should always be opposite to the rotation direction of the router bit; otherwise, there is a risk of kickback.

Always route against the rotation direction of the router bit.

Move the router counterclockwise when trimming the edges of the workpiece; move the router clockwise when trimming the inside of the workpiece.



Parallel cuts and edging

Parallel cuts and edging must be done with the supplied parallel guide.

- Place the parallel guide on the router. See the assembly section.
- Position the router on the workpiece with the parallel guide against the edge of the workpiece and adjust it to the desired width.
- Carefully adjust the cutting depth and start working.

Cleaning and care

- Keep the vents clean and free from obstructions to ensure proper motor cooling.
- Regularly inspect all mounting screws and ensure they are tightened correctly. If any of the screws are loose, tighten them immediately.
- Use a clean and soft cloth to clean the tool. Never use alcohol or detergent. Disconnect the tool and remove the battery before cleaning it.

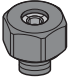
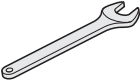
Service

Tool servicing should only be performed at a TRUPER Authorized Service Center. Service and maintenance performed by unqualified persons can be dangerous and may result in personal injury as well as voiding the product warranty.

For battery-powered tools

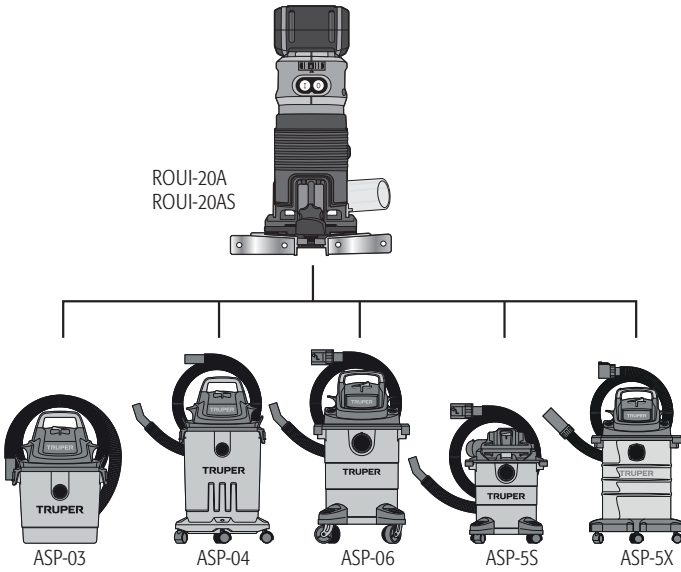
The ambient temperature range for the use and storage of the tool and battery is from 32 °F to 113 °F.
The recommended ambient temperature range for the charging system during charging is from 32 °F to 104 °F.

Accessories

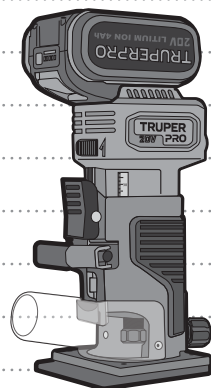
Replacement	Code	Item
	103633	COL 14-ROUI-20A
	103634	LL-ROUI-20A

Electrical appliances and batteries should not be disposed of with household waste. Please deliver this device, as well as its batteries with isolated contacts covered with adhesive tape, to a recycling center. Check the location of the nearest center in your community.

Compatibility with vacuums



Problem	Cause	Solution
<ul style="list-style-type: none"> The router loses efficiency. 	<ul style="list-style-type: none"> Low battery. 	<ul style="list-style-type: none"> Charge the battery.
<ul style="list-style-type: none"> The workpiece surface is not smooth after cutting. 	<ul style="list-style-type: none"> Dull cutting bit. The cutting bit speed reduces to an inappropriate level. The pushing speed of the cutting bit is inadequate. 	<ul style="list-style-type: none"> Use a sharp cutting bit. Select an appropriate speed for the cutting bit. Perform test cuts on scrap material to determine the proper feed rate (refer to page 14).
<ul style="list-style-type: none"> The cutting bit cannot be installed. The torque regulator prevents operation. 	<ul style="list-style-type: none"> Incorrect cutting bit size for the collet. 	<ul style="list-style-type: none"> Use 1/4" shank bits with the 1/4" collet.
<ul style="list-style-type: none"> The battery leaks. 	<ul style="list-style-type: none"> Normal minor dripping may occur at extreme temperatures or after heavy use. Intense or very evident dripping is due to a damaged battery. 	<ul style="list-style-type: none"> Immediately clean any liquid from skin or clothing with water and soap. Replace the battery immediately.
<ul style="list-style-type: none"> The battery does not charge, and the charger light does not turn on. 	<ul style="list-style-type: none"> Battery incorrectly placed in the charger. Charger not properly connected to the power outlet. 	<ul style="list-style-type: none"> Correctly insert the battery into the charger. Check that the plug is securely connected to the power outlet.
<ul style="list-style-type: none"> The router heats up after extended periods of work. 	<ul style="list-style-type: none"> Normal heating due to mechanical and electrical energy absorption during operation. 	<ul style="list-style-type: none"> Allow the router to cool down for a 5-minute period.
<ul style="list-style-type: none"> The battery heats up during operation. 	<ul style="list-style-type: none"> Normal heating due to energy extraction from the battery while the router is running. 	<ul style="list-style-type: none"> Stop the router for a 5-minute period to allow the battery to cool down
<ul style="list-style-type: none"> The battery heats up during charging. 	<ul style="list-style-type: none"> Normal heating due to chemical reactions that occur inside the battery while charging. 	
<ul style="list-style-type: none"> The charger heats up during charging. 	<ul style="list-style-type: none"> Normal heating due to voltage regulation. 	



Authorized service centers

TRUPER PRO

In the event of any problem contacting a TRUPER Authorized Service Center, please see our webpage WWW.TRUPER.COM to get an updated list, or call our toll-free numbers 800 690-6990 or 800 018-7873 to get information about the nearest Service Center.

- AGUASCALIENTES** **DE TODO PARA LA CONSTRUCCIÓN**
GRAL. BARRAGÁN #1201, COL. GREMIAL, C.P. 20030, AGUASCALIENTES, AGS. TEL.: 449 994 0537
- BAJA CALIFORNIA** **SUCURSAL TIJUANA**
AV. LA ENCANTADA, LOTE #5, PARQUE INDUSTRIAL EL FLORIDO II, CP. 22244, TIJUANA, B.C. TEL.: 664 969 5100
- BAJA CALIFORNIA SUR** **FIX FERRETERÍAS**
FELIPE ANGELES ESQ. RUIZ CORTÍNEZ S/N, COL. PUEBLO NUEVO, C.P. 23670, CD. CONSTITUCIÓN, B.C.S. TEL.: 613 132 1115
- CAMPECHE** **TORNILLERÍA Y FERRETERÍA AAA**
AV. ALVARO OBREGÓN #324, COL. ESPERANZA C.P. 24080 CAMPECHE, CAMP. TEL.: 981 815 2808
- CHIASPAS** **FIX FERRETERÍAS**
AV. CENTRAL SUR #27, COL. CENTRO, C.P. 30700, TAPACHULA, CHIS. TEL.: 962 118 4083
- CHIHUAHUA** **SUCURSAL CHIHUAHUA**
AV. SILVESTRE TERRAZAS #128-11, PARQUE INDUSTRIAL BAFAR, CARRETERA MÉXICO CUAUHTÉMOC, C.P. 31415, CHIHUAHUA, CHIH. TEL.: 614 434 0052
- CIUDAD DE MÉXICO** **FIX FERRETERÍAS**
EL MONSTRUO DE CORREGIDORA, CORREGIDORA # 35, COL. CENTRO, C.P. 06060, CUAUHTÉMOC, CDMX. TEL.: 55 5522 5031 / 5522 4861
- COAHUILA** **SUCURSAL TORREÓN**
CALLE METAL MECÁNICA #280, PARQUE INDUSTRIAL ORIENTE, C.P. 27278, TORREÓN, COAH. TEL.: 871 209 68 23
- COLIMA** **BOMBAS Y MOTORES BYMATES DE MANZANILLO**
BLVD. MIGUEL DE LA MADRID #190, COL. 16 DE SEPTIEMBRE, C.P. 28259, MANZANILLO, COL. TEL.: 314 332 1986 / 332 8013
- DURANGO** **TORNILLOS ÁGUILA, S.A. DE C.V.**
MAZURIO #200, COL. LUIS ECHEVERRÍA, DURANGO, DGO. TEL.: 618 817 1946 / 618 818 2844
- ESTADO DE MÉXICO** **SUCURSAL CENTRO JILOTEPEC**
PARQUE INDUSTRIAL # 1, COL. PARQUE INDUSTRIAL JILOTEPEC, JILOTEPEC, EDO. DE MÉX. C.P. 54257 TEL.: 761 782 9101 EXT. 5728 Y 5102
- GUANAJUATO** **CÍA. FERRETERA NUEVO MUNDO S.A. DE C.V.**
AV. MÉXICO - JAPÓN #225, CD. INDUSTRIAL, C.P. 38010, CELAYA, GTO. TEL.: 461 617 7578 / 79 / 80 / 88
- GUERRERO** **CENTRO DE SERVICIO ECLIPSE**
CALLE PRINCIPAL MZ I LT. 1, COL. SANTA FE, C.P. 39010, CHILPANCIÑO, GRO. TEL.: 747 478 5793
- HIDALGO** **FERREPRECIOS S.A. DE C.V.**
LIBERTAD ORIENTE #304 LOCAL 30, INTERIOR DE PASAJE ROBLED0, COL. CENTRO, C.P. 43600, TULANCINGO, HGO. TEL.: 775 753 6615 / 775 753 6616
- JALISCO** **SUCURSAL GUADALAJARA**
AV. ADOLFO B. HORN # 6800, COL: SANTA CRUZ DEL VALLE, C.P.: 45655, TLAJOMULCO DE ZUÑIGA, JAL. TEL.: 33 3606 5285 AL 90
- MICHOACÁN** **FIX FERRETERÍAS**
AV. PASEO DE LA REPÚBLICA #3140-A, COL. EX-HACIENDA DE LA HUERTA, C.P. 58050, MORELIA, MICH. TEL.: 443 334 6858
- MORELOS** **FIX FERRETERÍAS**
CAPITÁN ANZURES #95, ESQ. JOSÉ PERDIZ, COL. CENTRO, C.P. 62740, CUAUTLA, MOR. TEL.: 735 352 8931
- NAVARRIT** **HERRAMIENTAS DE TEPIC**
MAZATLAN #117, COL. CENTRO, C.P. 63000, TEPIC, NAY. TEL.: 311 258 0540
- NUEVO LEÓN** **SUCURSAL MONTERREY**
CARRETERA LAREDO #500, 1B MONTERREY PARKS, COLONIA PUERTA DE ANAHUAC, C.P. 66052, ESCOBEDO, NUEVO LEÓN, TEL.: 81 8352 8791 / 81 8352 8790
- OXACA** **FIX FERRETERÍAS**
AV. 20 DE NOVIEMBRE #910, COL. CENTRO, C.P. 68300, TUXTEPEC, OAX. TEL.: 287 106 3092
- PUEBLA** **SUCURSAL PUEBLA**
AV. PERIFÉRICO #2-A, SAN LORENZO ALMECATLA, C.P. 72710, CUAUHTLACINGO, PUE. TEL.: 222 282 8282 / 84 / 85 / 86
- QUERÉTARO** **ARU HERRAMIENTAS S.A. DE C.V.**
AV. PUERTO DE VERACRUZ #110, COL. RANCHO DE ENMEDIO, C.P. 76842, SAN JUAN DEL RÍO, QRO. TEL.: 427 268 4544
- QUINTANA ROO** **FIX FERRETERÍAS**
CARRETERA FEDERAL MZ. 46 LT. 3 LOCAL 2, COL. EJIDAL, C.P. 77710 PLAYA DEL CARMEN, Q.R. TEL.: 984 267 3140
- SAN LUIS POTOSÍ** **FIX FERRETERÍAS**
AV. UNIVERSIDAD #1850, COL. EL PASEO, C.P. 78320, SAN LUIS POTOSÍ, S.L.P. TEL.: 444 822 4341
- SINALOA** **SUCURSAL CULIACÁN**
AV. JESUS KUMATE SUR #4301, COL. HACIENDA DE LA MORA, C.P. 80143, CULIACÁN, SIN. TEL.: 667 173 9139 / 173 8400
- SONORA** **FIX FERRETERÍAS**
CALLE 5 DE FEBRERO #517, SUR LT. 25 MZ. 10, COL. CENTRO, C.P. 85000, CD. OBREGÓN, SON. TEL.: 644 413 2392
- TABASCO** **SUCURSAL VILLAHERMOSA**
CALLE HELIO LOTES 1, 2 Y 3 MZ. #1, COL. INDUSTRIAL, 2A ETAPA, C.P. 86010, VILLAHERMOSA, TAB. TEL.: 993 353 7244
- TAMAULIPAS** **VM ORINGS Y REFACCIONES**
CALLE ROSITA #527 ENTRE 20 DE NOVIEMBRE Y GRAL. RODRIGUEZ, FRACC. REYNOSA, C.P. 88780, REYNOSA, TAMS. TEL.: 899 926 7552
- TLAXCALA** **SERVICIOS Y HERRAMIENTAS INDUSTRIALES**
PABLO SIDAR #132, COL. BARRIO DE SAN BARTOLOMÉ, C.P. 90970, SAN PABLO DEL MONTE, TLAX. TEL.: 222 271 7502
- VERACRUZ** **LA CASA DISTRIBUIDORA TRUPER**
BLVD. PRIMAVERA. ESQ. HORTENSIA S/N, COL. PRIMAVERA C.P. 93308, POZA RICA, VER. TEL.: 782 823 8100 / 826 8484
- YUCATÁN** **SUCURSAL MÉRIDA**
CALLE 33 #600 Y 602, LOCALIDAD ITZINCAB Y MULSAV, MPIO. UMÁN, C.P. 97390, MÉRIDA, YUC. TEL.: 999 912 2451

Codes	Models	Brand
102865	ROUI-20A	TRUPER PRO
103262	ROUI-20AS	

Warranty. Duration: 3 years. Coverage: parts, components and workmanship against manufacturing or operating defects, except if used under conditions other than normal; when it was not operated in accordance with the instructive; was altered or repaired by personnel not authorized by TRUPER®. To make the warranty valid, present the product, stamped policy or invoice or receipt or voucher, in the establishment where you bought it or in Corregidora 35, Centro, Cuauhtémoc, CDMX, 06060, where you can also purchase parts, components, consumables and accessories. It includes the costs of transportation of the product that derive from its fulfillment of its service network. . Phone number 800-018-7873. Made in China. Imported by TRUPER, S.A. de C.V. Parque Industrial 1, Parque Industrial Jilotepec, Jilotepec, Edo. de Méx. C.P. 54257, Phone number 761 782 9100.



Stamp of the business. Delivery date:



Sello del establecimiento comercial. Fecha de entrega:

Garantía. Duración: 3 años. Cobertura: piezas, componentes y mano de obra contra defectos de fabricación o funcionamiento, excepto si se usó en condiciones distintas a las normales, cuando no fue operado conforme a las instrucciones, fue alterado o reparado por personal no autorizado por TRUPER®. Para hacer efectiva la garantía presente el producto, póliza sellada o factura o recibo o comprobante, en el establecimiento donde lo compró o en Corregidora 35, Centro, Cuauhtémoc, CDMX, 06060, donde también podrá adquirir partes, componentes, consumibles y accesorios. Incluye los gastos de transportación del producto que deriven de su cumplimiento de su red de servicio. Tel. 800-018-7873. Made in/Hecho en China. Importador TRUPER, S.A. de C.V. Parque Industrial 1, Parque Industrial Jilotepec, Jilotepec, Edo. de Méx. C.P. 54257, Tel. 761 782 9100.

Código	Modelo	Marca
102865	ROUI-20A	TRUPER
103262	ROUI-20AS	TRUPER PRO

Póliza de
garantía

TRUPER
PRO

En caso de tener algún problema para contactar un Centro de Servicio Autorizado TRUPER consulte nuestra página WWW.TRUPER.COM donde obtendrá un listado actualizado, o llame al: 800 690-6990 ó 800 018-7873 donde le informarán cuál es el Centro de Servicio más cercano.

AGUASCALIENTES

DE TODO PARA LA CONSTRUCCIÓN
CAPAL BARAÑÁN #1201, COL. COL. GREENM, C.P. 20050,
AGUASCALIENTES, AGS. TEL.: 499 949 0537

BAJA CALIFORNIA

SUCURSAL TIJUANA
AV. LA ENCANTADA, LOTE #5, PARQUE INDUSTRIAL EL
FLORIDO II, C.P. 22244, TIJUANA, B.C.
TEL.: 664 969 5100

BAJA CALIFORNIA SUR

FIX FERRERÍAS
FELIPE ANGELES ESQ. RUIZ CORTINEZ S/N, COL. PUEBLO
NUEVO, C.P. 25670, CD. CONSTITUCIÓN, B.C.S.
TEL.: 615 152 1115

CAMPECHE

TORNILLERÍA Y FERRERÍA AAA
AV. ALVARO OBREGÓN #324, COL. ESPERANZA
C.P. 24080 CAMPECHE, CAMP. TEL.: 981 981 2808

CHIAPAS

FIX FERRERÍAS
AV. CENTRAL SUR #27, COL. CENTRO, C.P. 30700,
TAPACHULA, CHIS. TEL.: 962 118 4083

CHIHUAHUA

SUCURSAL CHIHUAHUA
AV. SILVESTRE TERAZAS #128-11, PARQUE INDUSTRIAL
BARR. CARRETERA MEXICO CUANATEMOC, C.P. 31415,
CHIHUAHUA, CHIH. TEL.: 614 434 0052

CIUDAD DE MEXICO

EL MONSTRUO DE CORREDORA, CORREDORA # 35,
COL. CENTRO, C.P. 06060, CUANATEMOC, CDMX.
TEL.: 55 5522 5031 / 5522 4861

COAHUILA

SUCURSAL TORREÓN
CALLE METAL MECÁNICA #80, PARQUE INDUSTRIAL
ORIENTE, C.P. 27278, TORREÓN, COAH.
TEL.: 871 209 68 25

COLIMA

BOMBAS Y MOTORES BVMTESA DE MANZANILLO
BMD, MIGUEL DE LA MADRID #190, COL. 16 DE
SEPTIEMBRE, C.P. 28239, MANZANILLO, COL.
TEL.: 314 332 1966 / 332 8013

DURANGO

TORNILLOS AQUILA, S.A. DE C.V.
DGO, TEL.: 618 817 1946 / 618 818 2844

ESTADO DE MEXICO

SUCURSAL CENTAL JILOTPEC
PARQUE INDUSTRIAL # 1, COL. PARQUE INDUSTRIAL
JILOTPEC, JILOTPEC, EDO. DE MEX. C.P. 54257
TEL.: 761 782 9101 EXT. 5728 Y 5102

GUANAJUATO

CLA, FERRERÍA NUEVO MUNDO S.A. DE C.V.
AV. MEXICO - JAFÓN #225, CD. INDUSTRIAL, C.P. 38010,
CELAYA, GTO. TEL.: 461 617 7578 / 79 / 80 / 88

HIDALGO

FERRERIAS #504 LOCAL 30, INTERIOR DE PASAJE
ROBLED, COL. CENTRO, C.P. 43600, TULANCINGO,
HGO. TEL.: 775 753 6615 / 775 753 6616

JALISCO

SUCURSAL GUADALAJARA
AV. ADOLFO B. HORNI # 6800, COL. SANTA CRUZ DEL
VALLE, C.P.: 45655, TLAJUMLICO DE ZUNIGA, JAL.
TEL.: 33 3606 5285 AL 90

MICHOCÁN

FIX FERRERÍAS
AV. PASO DE LA REPUBLICA #314-A, COL.
EX-HACIENDA DE LA HUERTA, C.P. 58050, MORELIA,
MICH. TEL.: 443 334 6858

MORELOS

FIX FERRERÍAS
CAPITAL ANZURES #95, ESQ. JOSÉ PERDIZ, COL.
CENTRO, C.P. 62740, CUAUTLA, MOR.
TEL.: 735 352 8951

MAYARIT

HERRAMIENTAS DE TEPIC
MAZATLÁN #117, COL. CENTRO, C.P. 65000, TEPIC, NAY.
TEL.: 311 258 0540

NUOVO LEÓN

SUCURSAL MONTERREY
CARRETERA LARDO #500, 18 MONTERREY PARKS,
COLONIA PUERTA DE AVAÑAHUAC, C.P. 66025, ESCOBEDO,
NUEVO LEÓN, TEL.: 81 8352 8791 / 81 8352 8790

OAXACA

FIX FERRERÍAS
AV. 20 DE NOVIEMBRE #910, COL. CENTRO, C.P. 68300,
TUXTEPEC, OAX. TEL.: 287 106 5092

PUEBLA

SUCURSAL PUEBLA
AV. PERIFÉRICO #2-A, SAN LORENZO ALMECATLA,
C.P. 72710, CUAUTLACINGO, PUE.
TEL.: 222 282 8282 / 84 / 85 / 86

QUERÉTARO

ARU HERRAMIENTAS S.A. DE C.V.
AV. PUERTO DE VERACRUZ #110, COL. RANCHO DE
ENMEDIO, C.P. 76842, SAN JUAN DEL RÍO, QRO.
TEL.: 427 268 4544

QUINTANA ROO

FIX FERRERÍAS
CARRETERA FEDERAL MZ. 46 LT. 3 LOCAL 2, COL. EIDAL,
C.P. 77710 PLANA DEL CARMEN, Q.R.
TEL.: 984 267 3140

SAN LUIS POTOSÍ

FIX FERRERÍAS
AV. UNIVERSIDAD #1850, COL. EL PASO, C.P. 78320,
SAN LUIS POTOSÍ, S.L.P. TEL.: 444 822 4341

SINALOA

SUCURSAL CUICUILTÁN
AV. JESUS URMANTE SUR #4301, COL. HACIENDA DE LA
MORA, C.P. 80145, CUICUILTÁN, SIN.
TEL.: 667 173 9159 / 173 8400

SONORA

FIX FERRERÍAS
CALLE 5 DE FEBRERO #517, SUR LT. 25 MZ. 10, COL.
CENTRO, C.P. 85000, CD. OBREGÓN, SON.
TEL.: 644 413 2392

TABASCO

SUCURSAL VILLAHERMOSA
CALLE HELIO LOTE 1, 2 Y 3 MZ. #1, COL. INDUSTRIAL,
2A TAPA, C.P. 86010, VILLAHERMOSA, TAB.
TEL.: 993 353 7244

TAMAULIPAS

VM ORINGS Y REACCIONES
CALLE ROSITA #527 ENTRE 20 DE NOVIEMBRE Y GRAL.
RODRIGUEZ, FRACC. REVOSA, C.P. 88780, REVOSA,
TAMS. TEL.: 899 926 7552

TLAXCALA

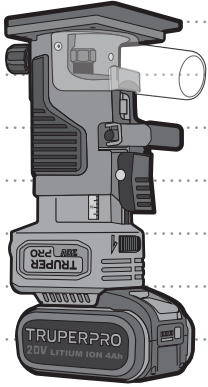
SERVICIOS Y HERRAMIENTAS INDUSTRIALES
PABLO SIDAR #132, COL. BARRIO DE SAN BARTOLOME,
C.P. 90970, SAN PABLO DEL MONTE, TLAX.
TEL.: 222 271 7502

VERACRUZ

LA CASA DISTRIBUIDORA TRUPER
PRIMAVERA, ESQ. HORTENSIA S/N, COL.
PRIMAVERA, C.P. 93308, POZA RICA, VER.
TEL.: 782 823 8100 / 826 8484

YUCATÁN

SUCURSAL MÉRIDA
CALLE 33 #600 Y 602, LOCALIDAD TIZINCAB Y MULSA,
MPIO. UMANÚ, C.P. 97390, MÉRIDA, YUC.
TEL.: 999 912 2451



Solución de problemas

TRUPER
PRO

Problema Causa Solución

La rebajadora pierde eficacia.

• Batería baja.

• Cargue la batería.

La superficie de la pieza de trabajo no está lisa después de cortar

• La fresa no tiene filo.

• La velocidad de la fresa rebaja a una velocidad

inapropiada.

• La velocidad con que se empuja la fresa es inadecuada

No se puede instalar la fresa de corte El regulador de torque impide la operación.

• La medida de la fresa no es la correcta para el

collarín.

• Utilice brocas con zanco de 1/4" (6,5 mm) con el mandril de 1/4" (6,5 mm).

La batería gotea.

• Goteo diminuto podría presentarse en

temperaturas extremas o después de un uso

pasado, esto es normal.

• El goteo intenso o muy evidente es debido a

una batería dañada.

• Reemplace la batería de inmediato.

• Limpie de inmediato con agua y jabón el

líquido de la piel o ropa.

La batería no se carga y la luz del cargador no enciende.

• Batería mal colocada en el cargador.

• Cargador mal conectado al tomacorriente.

• Inserte correctamente la batería al cargador.

• Revise que la clavija se encuentre bien

conectada al tomacorriente.

La rebajadora se calienta después de periodos de trabajo prolongados.

• Este calentamiento es normal, ya que se

absorbe la energía mecánica y eléctrica durante

el trabajo.

La batería se calienta durante la operación.

• Este calentamiento es normal, la energía que se

extrae de la batería mientras la rebajadora está

en marcha hace que ésta se caliente.

La batería se calienta

durante la carga:

• Este calentamiento es normal, resultado de las

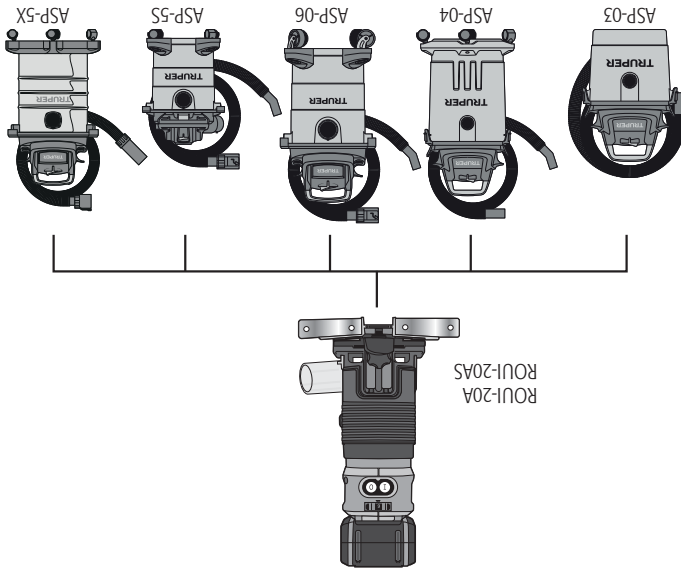
baterías mientras se carga.

El cargador se calienta

durante la carga.

• Este calentamiento es normal, resultado de la

regulación de tensión.



Compatibilidad con aspiradoras

Los aparatos eléctricos y las baterías no deben desecharse junto con los desperdicios domésticos. Por favor, entregue este aparato, así como sus baterías con los contactos aislados con tela adhesiva a un centro de reciclaje. Verifique la ubicación del centro más cercano a su comunidad.

Mantenimiento

TRUPER PRO

Limpeza y cuidados

- Mantenga las ventillas limpias y libres de obstrucciones para garantizar un enfriamiento adecuado del motor.
- Inspeccione regularmente todos los tornillos de montaje y asegúrese de que estén apretados correctamente. En caso de que alguno de los tornillos esté suelto, apriételo inmediatamente.
- Use un paño limpio y suave para limpiar la herramienta. Nunca use alcohol o detergente. Desconecte la herramienta y remueva la batería antes de limpiarla.

Servicio

El servicio de las herramientas debe ser realizado únicamente en un Centro de Servicio Autorizado TRUPER. El servicio y mantenimiento realizado por personas no calificadas puede resultar peligroso y llegar a ocasionar daños personales además de invalidar la garantía del producto.

Para herramientas con batería

El rango de temperatura ambiente para el uso y almacenamiento de la herramienta y la batería es de 0 °C a 45 °C. El rango de temperatura ambiente recomendado para el sistema de carga durante la carga es de 0 °C a 40 °C.

Accesorios

Repuesto	Código	Clave
	103633	COL14-ROUI-20A
	103634	LL-ROUI-20A

Entramiento general

ADVERTENCIA Durante la operación se generará

polvo fino! Use una mascarilla contra el polvo.

• Asegúrese de que la pieza de trabajo esté libre de obstáculos como clavos o tornillos antes de la operación.

• Siempre coloque la fresa para la rebajadora desahogada.

• Sujete firmemente la rebajadora con una mano en su cuerpo antes de encenderlo.

• Espere siempre hasta que la fresa haya alcanzado su velocidad completa antes de cortar.

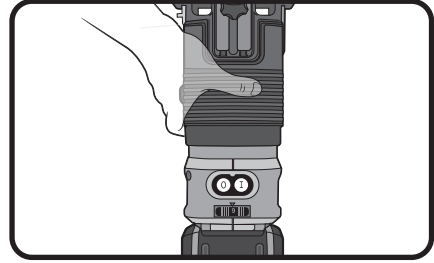
• Mueva la rebajadora hacia adelante/atrás con una velocidad lenta y uniforme. Preste atención a la dirección de avance.

• Detenga la rebajadora al final del corte, suelte el interruptor de encendido/apagado y espere hasta que la fresa se haya detenido por completo antes de retirar la rebajadora de la pieza de trabajo.

ADVERTENCIA Asegúrese siempre de que la base esté plana sobre la pieza de trabajo durante la operación!

!No intente hacer cortes con la rebajadora sostenida solo con una mano!

NOTA: Mantenga la rebajadora en movimiento en todo momento, no se detenga en una posición para evitar altas temperaturas.



NOTA: Mover la herramienta hacia adelante demora el rápido puede causar una mala calidad de corte, daño a la fresa o daño al motor. Mover la herramienta hacia adelante demasiado lento puede resultar en daño a la fresa debido al calor. Antes de comenzar el corte en la pieza de trabajo, se recomienda hacer una prueba de corte en un trozo de madera de desecho. Esto mostrará exactamente cómo se verá el corte y cuál será la dimensión.

Al utilizar la guía paralela o la guía de rodillos, asegúrese de mantenerla en el lado derecho de la fresa. Esto ayuda a que esté al ras con la superficie de la pieza de trabajo.

Dado que un corte excesivo puede sobrecargar el motor, la profundidad de corte no debe ser más de 3 mm. Si desea una profundidad superior a 3 mm, realice varios pases con configuraciones de fresa progresivamente más profundas.

Operación

Coloque la base sobre la pieza de trabajo a cortar sin hacer ningún contacto con la fresa. Encienda la herramienta y espere hasta que alcance su velocidad completa. Mueva la herramienta hacia adelante sobre la superficie de la pieza de trabajo. Y asegúrese de que la base esté al ras y avance suavemente hasta que se complete el corte.

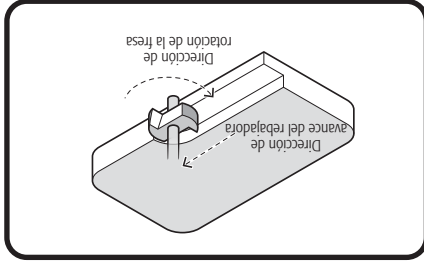
Para el corte de bordes, mantenga la pieza de trabajo a la izquierda de la fresa en la dirección de avance.

ADVERTENCIA Dirección de avance

La dirección de la rebajadora siempre debe ser opuesta a la dirección de rotación de la fresa, de lo contrario, existe riesgo de contragolpe.

Siempre enrute en contra de la dirección de rotación de la fresa.

Mueva la rebajadora en sentido contrario a las agujas del reloj al rebajar los bordes de la pieza de trabajo, mueva la rebajadora en el sentido de las agujas del reloj al rebajar el interior de la pieza de trabajo.



Cortes paralelos y bordado

Los cortes paralelos y el bordado deben realizarse con la guía paralela suministrada.

• Coloque la guía paralela en la rebajadora. Ver la sección de ensamblaje.

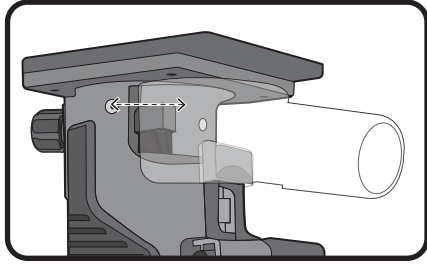
• Coloque la rebajadora sobre la pieza de trabajo con la guía paralela apoyada contra el borde de la pieza de trabajo y ajústelo al ancho deseado.

• Ajuste cuidadosamente la profundidad de corte y comience a trabajar.

Preparación

6. Colocación de la cubierta de polvo

La rebajadora se suministra con una cubierta de polvo que es para la recolección de polvo. Para instalarla, simplemente coloque los dos pequeños cilindros elevados en los agujeros correspondientes ubicados en ambos lados del revestimiento exterior de aluminio.



Operación

Inicio y alto

⚠ ADVERTENCIA

- Antes de instalar la batería, asegúrese de que la herramienta esté apagada.
- Presione el interruptor de encendido/apagado en "I" durante unos segundos para encender la rebajadora.
- Presione el interruptor de encendido/apagado en "0" para apagar la rebajadora. La rebajadora se apagará inmediatamente.

Control de velocidad variable

Ajuste la velocidad al nivel requerido girando el control de velocidad variable.

- Gire el control de velocidad variable a un número mayor para aumentar la velocidad. Un ajuste más alto es adecuado al usar fresas para la rebajadora de gran diámetro o al trabajar en materiales duros como la madera.
- Gire el control de velocidad variable a un número menor para disminuir la velocidad. Un ajuste más bajo es adecuado al usar fresas para un rebajadora de pequeño diámetro o al trabajar en materiales blandos como el plástico.

Velocidad de rotación recomendada

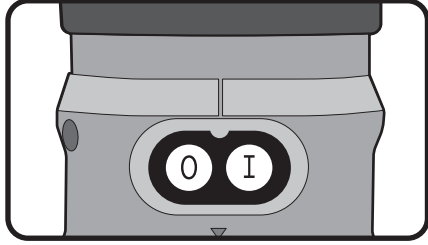
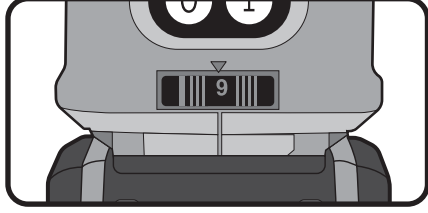
En general, use configuraciones más bajas para fresas de gran diámetro y configuraciones más altas para fresas de pequeño diámetro. La configuración correcta también dependerá de la densidad del material, la profundidad de corte y la velocidad de avance de la rebajadora.

4-6	Maderas duras (ejemplo: haya)
5-6	Maderas suaves (ejemplo: pino)
3-5	Aglomerado
2-3	Plástico
1-4	Aluminio

NOTA: Los valores anteriores son solo orientativos y pueden variar según la pieza de trabajo real.

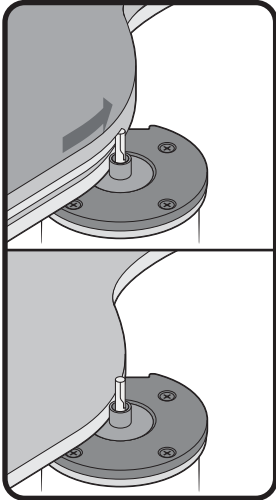
Materiales

Etapas de velocidad



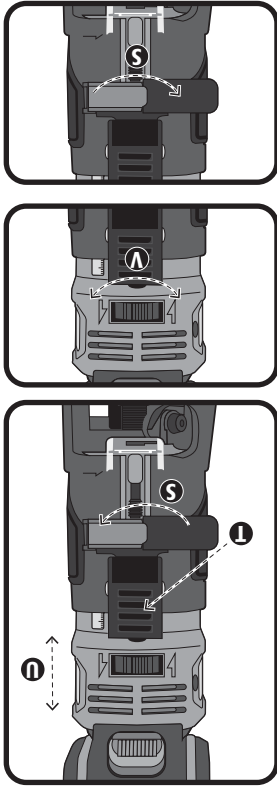
Cortes con plantilla

- Coloque la guía de plantilla adecuada en el producto.
- Coloque la plantilla sobre la pieza de trabajo y fíjela con abrazaderas adecuadas. Fíje las abrazaderas de manera que no obstruyan el movimiento del producto.
- Coloque el producto sobre la pieza de trabajo con el cuello de la guía de plantilla apoyado contra el borde de la plantilla.
- Aplique una ligera presión contra la plantilla durante el funcionamiento para asegurar que la guía de plantilla esté plana contra el borde de la plantilla.

**5. Ajuste de la profundidad de corte**

ADVERTENCIA No inserte la batería antes de realizar cualquier ajuste en la rebajadora.

- Abra primero la palanca de bloqueo para el ajuste de la profundidad de corte (**S**).
- Presione la palanca de liberación rápida (**T**) y manténgala en posición. Sujete cuidadosamente el cuerpo de la rebajadora y muévalo lentamente hacia arriba o hacia abajo hasta la posición requerida, para que la fresa instalada esté cerca de la superficie de la pieza de trabajo. Libere la palanca de liberación rápida para bloquear la posición del cuerpo de la rebajadora (**U**).
- Mueva la rueda de ajuste fino (**V**) izquierda o derecha según sea necesario para el ajuste micro del cuerpo de la rebajadora (hacia arriba o hacia abajo un poco) para que la fresa toque la superficie de la pieza de trabajo.
- Regrese la palanca de bloqueo (**S**) a su posición inicial para bloquear el ajuste de altura.



Ajuste de la guía paralela

- Afloje la tuerca de bloqueo de la guía paralela en sentido antihorario (K).
- Deslice la guía paralela a la posición de trabajo deseada (I).
- Fije la guía paralela en la posición de trabajo apretando la perilla (K) de bloqueo en sentido horario.

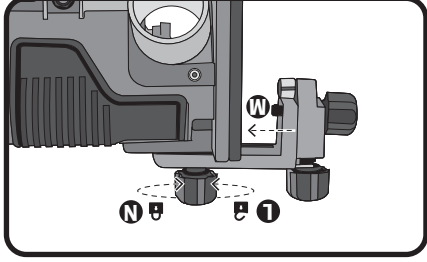
Al cortar, asegúrese siempre de que la guía paralela esté al ras con el lado de la pieza de trabajo. Si la distancia entre el lado de la pieza de trabajo y la posición de corte es demasiado ancha para la guía paralela, o si el lado de la pieza de trabajo no es recto, sujete firmemente una guía paralela a la pieza de trabajo y úsela como guía contra la placa base.

3. Guía de rodillo

La montura de la guía de rodillo se utiliza para el entramamiento de bordes con fresas para la rebajadora sin guía piloto o rodamiento de bolas. El rodillo se colocará junto al borde de la pieza de trabajo para guiar la máquina con avance uniforme.

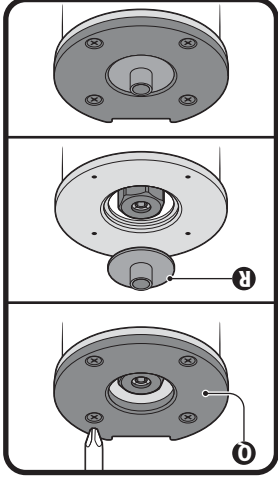
Para instalar la guía de rodillo

- Afloje la perilla de fijación de la guía paralela en sentido antihorario (L).
- Alinee la montura de la guía de rodillo con la posición de montaje de la placa base e insértela en la posición de trabajo deseada (M).
- Fije la montura de la guía de rodillo en posición apretando la perilla de fijación de la guía paralela en sentido horario. Para ajustar la guía de rodillo (N).



Ajuste de la guía de rodillo

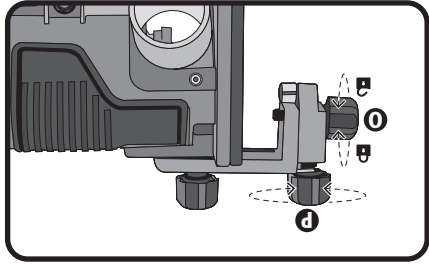
- Afloje la perilla (O) de fijación de la montura de la guía de rodillo en sentido antihorario.
- Cierre la perilla de ajuste fino (P) para colocar el rodillo en la posición de trabajo deseada.
- Fije el rodillo en la posición de trabajo apretando la perilla de fijación en sentido horario.



- Utilice un destornillador para quitar los 4 tornillos y arandelas del lado inferior de la placa base (O).
- Retire la parte de plástico dentro de la placa base con el cuello hacia abajo (R).
- Coloque la guía copiadora dentro de la placa base con el cuello hacia abajo (R).
- Vuelva a ensamblar la parte de plástico de la placa base y fíjela con 4 tornillos con arandelas.
- Siga los pasos en orden inverso para quitar la guía de plantilla.

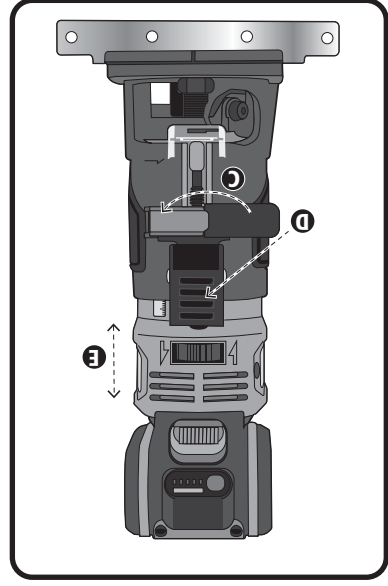
4. Guía copiadora

ADVERTENCIA Utilice la guía de plantilla solo para aplicaciones con plantilla. Siempre retire la guía de plantilla cuando utilice el producto para otras aplicaciones!

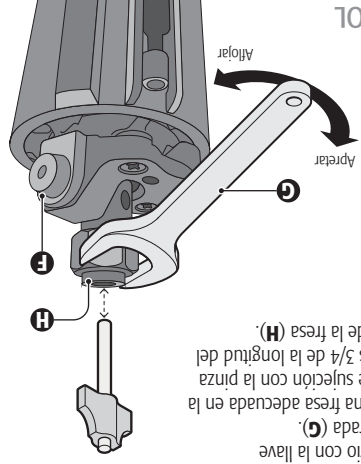


Inserción

1. Abra primero la palanca de bloqueo para el ajuste de la profundidad de corte (C).
2. Presione la palanca de liberación rápida y manténgala en posición (D).
3. Sujete cuidadosamente el cuerpo de la rebajadora, muévelo lentamente hacia arriba y retírelo de la base (E).



4. Círe ligeramente el husillo y presione el botón de bloqueo del husillo hasta que el botón de bloqueo del husillo esté exactamente encajado en el agujero del husillo (F).
5. Continúe presionando y manteniendo el botón de bloqueo del husillo en posición para bloquear el husillo. Afloje la tuerca de sujeción con la pinza antihorario con la llave suministrada (G).
6. Inserte una fresa adecuada en la tuerca de sujeción con la pinza al menos 3/4 de la longitud del vástago de la fresa (H).



Preparación

7. Apriete la tuerca de sujeción con la pinza en sentido horario con la llave suministrada.
8. Libere el botón de bloqueo del husillo y asegúrese de que el husillo pueda girar libremente.

Retiro

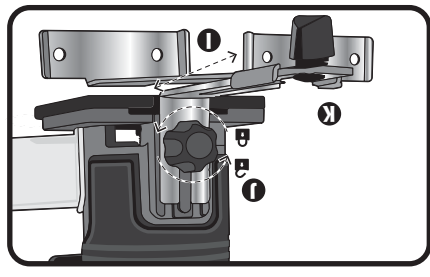
1. Abra primero la palanca de bloqueo para el ajuste de la profundidad de corte. Presione la palanca de liberación rápida y manténgala en posición. Sujete cuidadosamente el cuerpo de la rebajadora, muévelo lentamente hacia arriba y retírelo de la base.
2. Círe ligeramente el husillo y presione el botón de bloqueo del husillo hasta que el botón de bloqueo del husillo esté exactamente encajado en el agujero del husillo.
3. Continúe presionando y manteniendo el botón de bloqueo del husillo en posición para bloquear el husillo. Afloje la tuerca de sujeción con la pinza en sentido antihorario con la llave suministrada.
4. Retire la fresa y apriete la tuerca de sujeción con la pinza en sentido horario con la llave suministrada.
5. Libere el botón de bloqueo del husillo y asegúrese de que el husillo pueda girar libremente.

2. Guía paralela

Inserte la guía paralela para realizar cortes paralelos a los bordes de la pieza de trabajo.

Para instalar la guía paralela

- Ensamble la guía paralela utilizando el tornillo de bloqueo y la tuerca alada con su arandela como se indica en el diagrama de partes.
- Afloje la perilla de fijación de la guía paralela en sentido antihorario (J).
- Alinee la guía paralela con la posición de montaje de la placa base.
- Fije la guía paralela en la posición apretando la perilla de fijación de la guía paralela en sentido horario.



NOTA: Antes de utilizar la herramienta, lea detenidamente el manual de instrucciones.

Uso previsto

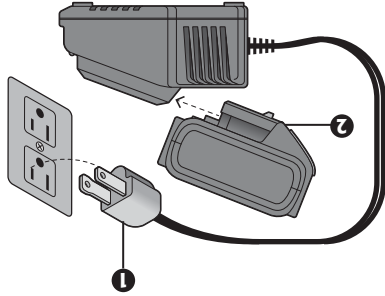
Este producto está destinado para realizar ranuras, bordes, y materiales de construcción livianos. El producto debe usarse en posición vertical. Nunca lo utilice para trabajar en posición elevada o en superficies verticales.

Procedimiento de carga

- Conecte el cargador a un enchufe adecuado. La luz verde se iluminará.

- Deslice la batería en el cargador, asegúrese de que la batería esté en la posición de carga correcta de manera firme. La luz verde se apagará y la luz roja se iluminará para indicar que ha comenzado el proceso de carga.
- Cuando la carga esté completa, la luz roja se apagará y la luz verde se iluminará.
- Después de cargar completamente, desenchufe el cargador y retire el paquete de baterías.

ADVERTENCIA Cuando la carga de la batería se agote después de un uso continuo o exposición directa al sol o al calor, permita que la herramienta se enfríe antes de recargar para lograr una carga completa.



Ensamblaje y ajuste

ADVERTENCIA La rebajadora debe estar completamente ensamblada antes de su operación. No instale la batería antes de que la rebajadora esté completamente ensamblada!

1. Para insertar o retirar una fresa (no suministrada)

Se pueden utilizar fresas con vástago de 1/4 de pulgada o 6 mm para esta rebajadora. A continuación, se enumeran las formas más comunes para su referencia.

ADVERTENCIA Asegúrese siempre de que el diámetro del vástago de la fresa se adapte al portabrocas instalado en la rebajadora. Nunca use una fresa con un diámetro de vástago que no se ajuste al portabrocas.

Para retirar la batería

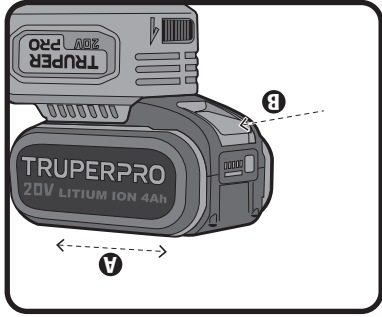
Presione firmemente el Botón de Liberación del Paquete de Baterías primero y luego deslice la batería hacia afuera de la herramienta (B).

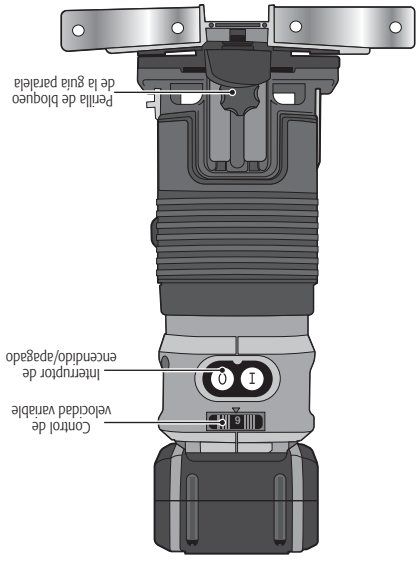
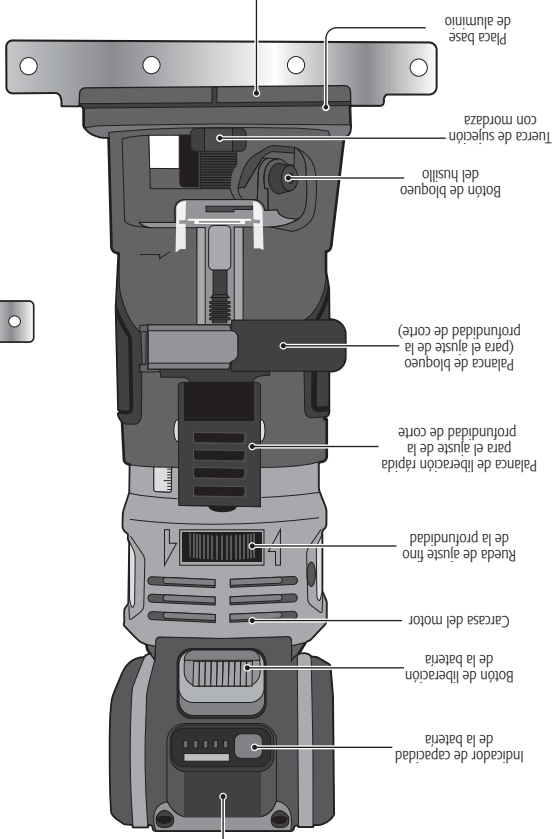
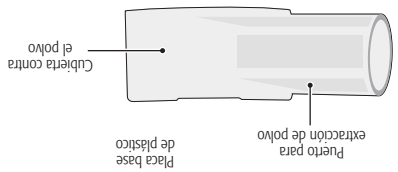
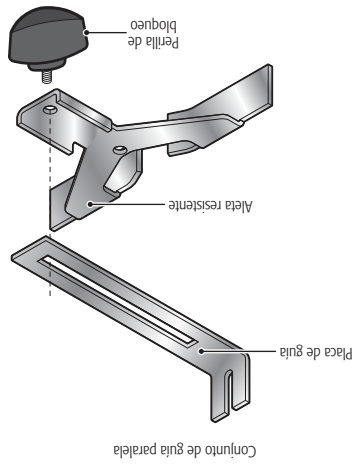
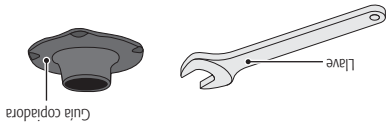
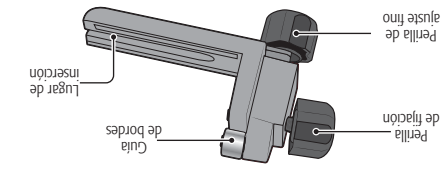
Para instalar la batería

Deslice la batería completamente cargada en la herramienta con la fuerza suficiente hasta que encaje en su lugar con un clic (A).

Verificación del estado de la batería

Antes de comenzar o después de usar, presione el botón junto a las luces para verificar el estado de la batería.





Batería incluida solo en el modelo ROU-20A

ADVERTENCIA • RIESGO DE CONTRAGOLPE. For contragolpe nos referimos al movimiento repentino y con fuerza que sufre la herramienta hacia afuera de la pieza de trabajo y que puede hacer perder el control al operador o incluso provocar una lesión. Por lo regular es ocasionado cuando la broca de corte se atora en la pieza o por una operación deficiente. Para evitarlo se deben tomar las siguientes precauciones:

ADVERTENCIA • Utilice brocas de corte en buen estado y cerciórese que estén bien instaladas. Las brocas mal instaladas, dañadas, sin filo o con desgastes tienden a atorarse en el material provocando contragolpes.

ADVERTENCIA • Al operar la rebajadora sostenga el cuerpo bien equilibrado y en una posición estable con ambos pies en el piso para resistir la fuerza de un posible contragolpe.

ADVERTENCIA • Para realizar un corte espere a que la broca alcance su máxima velocidad antes de comenzar a cortar. No encienda la herramienta con la broca apoyada en la pieza de trabajo, podrá provocar un contragolpe.

ADVERTENCIA • Para reiniciar el trabajo dentro de un corte, centre la broca en el corte.

ADVERTENCIA • Si se interrumpe el corte durante la operación en la rebajadora, apague el interruptor de la broca que el motor se detenga por completo. No intente retirar la broca mientras el motor siga en marcha, podrá provocar un contragolpe.

ADVERTENCIA • Para minimizar el riesgo de que la broca se atore y provoque un contragolpe, antes de cortar una pieza de madera retire todos los clavos. La madera húmeda, pandeada o tratada a presión requieren de especial atención durante el corte. La goma y resina de la madera que se endurece en las brocas de corte, hacen lenta la rebajadora. Utilice removedor de goma y resina, agua caliente o keroseno para retirar esas acumulaciones. No use material o cuando use brocas de diámetro grande.

progresivas cuando el trabajo requiera retirar mucho material o cuando use brocas de diámetro grande.

Advertencias de seguridad para rebajadora

Use abrazaderas u otra forma práctica de asegurar y apoyar la pieza de trabajo en una plataforma estable. Sostener la pieza de trabajo con la mano o contra el cuerpo la deja inestable y puede llevar a la pérdida de control.

PELIGRO • Aleje las manos del área de corte y de la broca de corte. Al operar la herramienta sostenga la firmeza por el mango antideslizante para evitar lesiones accidentales y prevenir la pérdida de control.

ADVERTENCIA • El contacto accidental con una broca de corte que esté girando puede ocasionar lesiones personales de gravedad.

PELIGRO • NUNCA sostenga la pieza a cortar con las manos o sobre una pizma. Sujete la pieza de trabajo con la broca de corte, evitar que ésta se atore o perder el control de la herramienta o la pieza de trabajo.

ADVERTENCIA • No intente retirar material de desecho cuando la broca de corte esté girando.

ADVERTENCIA • Jamás ponga la mano por debajo de la pieza de trabajo con la herramienta en marcha.

ADVERTENCIA • Antes de cada uso revise que todas las partes funcionen correctamente, si algo no funciona dele servicio antes de operar la herramienta.

ADVERTENCIA • Operar la herramienta sosteniéndola por sus partes aisladas evita descargas al operador en caso de que el disco haga contacto con cableado eléctrico oculto lateral. En caso de producir polvo use también una máscara para polvo.

ADVERTENCIA • La herramienta retira la broca de corte.

ADVERTENCIA • Antes de transportar la herramienta retire los mascarillos de protección.

ADVERTENCIA • El polvo originado al cortar ciertos materiales contienen sustancias químicas que se sabe causan daños a la salud. Para reducir la exposición a estas sustancias químicas, trabaje en áreas bien ventiladas, y use el equipo diseñado específicamente para filtrar partículas microscópicas.

Advertencias de seguridad para el cargador de baterías

⚠️ADVERTENCIA! Lea todas las advertencias de seguridad y todas las instrucciones. No seguir las advertencias e instrucciones puede resultar en descargas eléctricas, incendios y/o lesiones graves.

Guarde todas las advertencias e instrucciones para referencia futura.

Este aparato no está destinado para ser utilizado por personas (incluyendo niños) con capacidades físicas, sensoriales o mentales reducidas, o falta de experiencia y conocimientos, a menos que se les haya brindado supervisión o instrucciones sobre el uso del aparato por parte de una persona responsable de su seguridad. Los niños deben ser supervisados para asegurarse de que no jueguen con la herramienta. Si el cable de alimentación está dañado, debe ser reemplazado por el fabricante, su agente de servicio o personas igualmente calificadas para evitar peligros.

Instrucciones de seguridad adicionales para su cargador de baterías

- Lea las instrucciones antes de cargar las baterías.
- No cargue una batería que esté gotearo.
- No utilice cargadores para trabajos distintos a aquellos para los que están diseñados.
- Antes de cargar, asegúrese de que su cargador coincida con la fuente de alimentación de CA local.
- Para uso en interiores o no lo exponga a la lluvia.
- El dispositivo de carga debe protegerse de la humedad.
- No utilice el dispositivo de carga al aire libre.

Advertencias de seguridad para las baterías

- Las baterías deben cargarse antes de usarlo. Siempre consulte estas instrucciones y utilice el procedimiento de carga correcto.
- No mantenga las baterías cargándose cuando no esté en uso.
- Después de períodos prolongados de almacenamiento, puede ser necesario cargar y descargar las baterías varias veces para obtener un rendimiento máximo.
- Recargue solo con el cargador especificado por el fabricante. No use ningún cargador que no sea el proporcionado específicamente para su uso con el equipo.
- No use ninguna batería que no esté diseñada para su uso con el equipo.
- Mantenga las baterías fuera del alcance de los niños.
- Conserve el manual original del producto para referencia futura.
- Retire la batería del equipo cuando no esté en uso.
- Desechelo correctamente.
- No mezcle células de diferente fabricación, capacidad, tamaño o tipo dentro de un dispositivo.
- Mantenga la batería alejada de microondas y alta presión.

⚠️ADVERTENCIA

- No use baterías no recargables.

- No desarme, abra ni desmenuce celdas o las baterías.
- No haga cortocircuito en un paquete de baterías. No guarde los paquetes de baterías de manera descuidada en una caja o cajón donde puedan hacer cortocircuito entre sí o ser cortocircuitados por materiales conductores. Cuando las baterías no estén en uso, manténgalas alejadas de otros objetos metálicos, como clips, monedas, llaves, clavos, tornillos u otros objetos metálicos papuertos, que puedan hacer una conexión de un terminal a otro. Hacer corto circuito entre los terminales de la batería puede causar quemaduras o un incendio.
- No exponga las baterías al calor o al fuego. Evite el almacenamiento a la luz directa del sol.
- No someta las baterías a golpes mecánicos.
- En caso de fuga de la batería, no permita que el líquido entre en contacto con la piel u ojos. Si ha habido contacto, lave la zona afectada con abundante agua y busque asesoramiento médico.
- Mantenga las baterías limpias y secas.
- Limpie los terminales de las baterías con un paño limpio y seco si se ensucian.

En condiciones de uso extremo, la batería puede expulsar líquido; evite el contacto. Si ocurre contacto accidental, enjuague con agua. Si el líquido entra en contacto con los ojos, busque ayuda médica adicional.

El líquido expulsado de la batería puede causar irritación o quemaduras.

No utilice baterías o herramientas que estén dañadas o modificadas.

Las baterías dañadas o modificadas pueden tener un comportamiento impredecible que resulte en fuego, explosión o riesgo de lesiones.

No exponga baterías o herramientas al fuego o a temperaturas excesivas.

La exposición al fuego o a temperaturas superiores a 265 °F puede causar una explosión.

Siga todas las instrucciones de carga y no cargue las baterías o la herramienta fuera del rango de temperatura especificado en las instrucciones.

Cargar de manera incorrecta o a temperaturas fuera del rango especificado puede dañar la batería y aumentar el riesgo de incendio.

Servicio

Mande su herramienta a reparación con una persona capacitada que utilice solo piezas de repuesto idénticas.

Esto garantizará que se mantenga la seguridad de la herramienta eléctrica.

Nunca repare baterías dañadas.

El servicio a las baterías solo debe ser realizado por el fabricante o proveedores de servicios autorizados.

Esta herramienta cumple con la Norma Oficial Mexicana (NOM)



De mantenimiento a las herramientas eléctricas y los accesorios. Verifique si hay desalineación o bloqueo de piezas móviles, rotura de piezas y cualquier otra condición que pueda afectar el funcionamiento de la herramienta eléctrica. Si está dañada, mande la herramienta eléctrica a reparación antes de usarla.

Muchos accidentes son causados por herramientas eléctricas en malas condiciones.

Mantenga afiladas y limpias las herramientas de corte.

Las herramientas de corte adecuadamente mantenidas con bordes afilados tienen menos probabilidades de atascarse y son más fáciles de controlar.

Utilice la herramienta eléctrica, accesorios y puntas de herramienta, etc., de acuerdo con estas instrucciones, teniendo en cuenta las condiciones de trabajo y el trabajo a realizar.

El uso de la herramienta eléctrica para operaciones diferentes a las previstas podría resultar en una situación peligrosa.

Mantenga los mangos y superficies de agarre secos, limpios y libres de aceite y grasa.

Los mangos y superficies de agarre resbaladizos no permiten un manejo seguro y control de la herramienta en situaciones inesperadas.

Uso y cuidado de la herramienta con batería

Recargue solo con el cargador especificado por el fabricante.

Un cargador que sea adecuado para un tipo de baterías puede crear un riesgo de incendio cuando se utiliza con uno distinto.

Designe herramientas eléctricas solo con baterías específicamente designadas.

El uso de cualquier batería puede crear un riesgo de lesiones e incendios.

Cuando las baterías no estén en uso, manténgalas alejadas de otros objetos metálicos, como clips, monedas, llaves, clavos, tornillos u otros objetos metálicos pequeños, que puedan hacer una conexión de un terminal a otro.

Hacer corto circuito entre los terminales de la batería puede causar quemaduras o un incendio.

Advertencias generales de seguridad para herramientas eléctricas

¡ADVERTENCIA! Lea todas las advertencias de seguridad, instrucciones, ilustraciones y especificaciones proporcionadas con esta herramienta eléctrica. No seguir todas las instrucciones enumeradas a continuación puede resultar en descargas eléctricas, incendios y/o lesiones graves. **Cuarde todas las advertencias e instrucciones para referencia futura.**

El término "herramienta eléctrica" en las advertencias se refiere a su herramienta eléctrica con cable (conectada a la red eléctrica) o herramienta eléctrica a batería (inalámbrica).

Área de trabajo
 Mantenga el área de trabajo limpia y bien iluminada.
 Las áreas desordenadas u oscuras propician accidentes.

No opere herramientas en atmósferas explosivas, como en presencia de líquidos inflamables, gases o polvo.
 Las herramientas eléctricas generan chispas que pueden encender el polvo o los vapores.

Mantenga a los niños y espectadores alejados mientras opera una herramienta eléctrica.
 Las distracciones pueden hacer que pierda el control.

Seguridad eléctrica
 Los enchufes de las herramientas eléctricas deben coincidir con la toma de corriente. Nunca modifique el enchufe de ninguna manera. No use adaptadores con herramientas eléctricas conectadas a tierra.
 Los enchufes no modificados y las tomas de corriente coincidentes reducirán el riesgo de descargas eléctricas.

Evite el contacto corporal con superficies conectadas a tierra, como tuberías, radiadores, cocinas y refrigeradores.
 Existe un mayor riesgo de descargas eléctricas si su cuerpo está conectado a tierra.

No exponga las herramientas eléctricas a la lluvia o condiciones húmedas.
 La entrada de agua a una herramienta eléctrica aumentará el riesgo de descargas eléctricas.

No abuse del cable. Nunca utilice el cable para transportar, tirar o desconectar la herramienta eléctrica. Mantenga el cable alejado del calor, aceite, bordes afilados o partes móviles.
 Los cables dañados o enredados aumentan el riesgo de descargas eléctricas.

Al operar una herramienta eléctrica al aire libre, utilice un cable de extensión adecuado para uso en exteriores.
 El uso de un cable adecuado para uso en exteriores reduce el riesgo de descargas eléctricas.

Si es inevitable operar una herramienta eléctrica en un lugar húmedo, utilice un suministro protegido por un dispositivo de corriente residual (DCR).
 El uso de un DCR reduce el riesgo de descargas eléctricas.

Seguridad personal
 Manténgase alerta, observe lo que está haciendo y use el sentido común al operar una herramienta eléctrica. No use una herramienta eléctrica cuando esté cansado o bajo la influencia de drogas, alcohol o medicamentos.
 Un momento de distracción al operar herramientas eléctricas puede resultar en lesiones personales graves.

Use equipo de protección personal. Siempre use protección ocular.
 El equipo de protección personal, como una máscara contra el polvo, calzado de seguridad antideslizante, casco o protección auditiva, utilizado según las condiciones apropiadas, reducirá las lesiones personales.

Uso y cuidados de la herramienta eléctrica correcta para su aplicación.
 La herramienta eléctrica correcta realizará el trabajo de manera más eficiente y segura a la velocidad para la cual fue diseñada.

No utilice la herramienta eléctrica si el interruptor no la enciende y apaga.
 Cualquier herramienta eléctrica que no pueda controlarse con el interruptor es peligrosa y debe ser reparada.

Desconecte el enchufe de la fuente de alimentación y/o retire las baterías, si es desmontable, de la herramienta eléctrica antes de realizar ajustes, cambiar accesorios o almacenar las herramientas eléctricas.
 Estas medidas preventivas de seguridad reducen el riesgo de encender la herramienta eléctrica accidentalmente.

Guarde las herramientas eléctricas inactivas fuera del alcance de los niños y no permita que personas no familiarizadas con la herramienta eléctrica o estas instrucciones la utilicen.
 Las herramientas eléctricas son peligrosas en manos de usuarios no capacitados.

Use y cuidados de la herramienta eléctrica correcta para su aplicación.
 La herramienta eléctrica correcta realizará el trabajo de manera más eficiente y segura a la velocidad para la cual fue diseñada.

No fuerce la herramienta eléctrica. Utilice la herramienta eléctrica correcta para su aplicación.
 La herramienta eléctrica correcta realizará el trabajo de manera más eficiente y segura a la velocidad para la cual fue diseñada.

No utilice la herramienta eléctrica si el interruptor no la enciende y apaga.
 Cualquier herramienta eléctrica que no pueda controlarse con el interruptor es peligrosa y debe ser reparada.

Desconecte el enchufe de la fuente de alimentación y/o retire las baterías, si es desmontable, de la herramienta eléctrica antes de realizar ajustes, cambiar accesorios o almacenar las herramientas eléctricas.
 Estas medidas preventivas de seguridad reducen el riesgo de encender la herramienta eléctrica accidentalmente.

Guarde las herramientas eléctricas inactivas fuera del alcance de los niños y no permita que personas no familiarizadas con la herramienta eléctrica o estas instrucciones la utilicen.
 Las herramientas eléctricas son peligrosas en manos de usuarios no capacitados.

Uso y cuidados de la herramienta eléctrica correcta para su aplicación.
 La herramienta eléctrica correcta realizará el trabajo de manera más eficiente y segura a la velocidad para la cual fue diseñada.

No utilice la herramienta eléctrica si el interruptor no la enciende y apaga.
 Cualquier herramienta eléctrica que no pueda controlarse con el interruptor es peligrosa y debe ser reparada.

Desconecte el enchufe de la fuente de alimentación y/o retire las baterías, si es desmontable, de la herramienta eléctrica antes de realizar ajustes, cambiar accesorios o almacenar las herramientas eléctricas.
 Estas medidas preventivas de seguridad reducen el riesgo de encender la herramienta eléctrica accidentalmente.

Guarde las herramientas eléctricas inactivas fuera del alcance de los niños y no permita que personas no familiarizadas con la herramienta eléctrica o estas instrucciones la utilicen.
 Las herramientas eléctricas son peligrosas en manos de usuarios no capacitados.

Uso y cuidados de la herramienta eléctrica correcta para su aplicación.
 La herramienta eléctrica correcta realizará el trabajo de manera más eficiente y segura a la velocidad para la cual fue diseñada.

No utilice la herramienta eléctrica si el interruptor no la enciende y apaga.
 Cualquier herramienta eléctrica que no pueda controlarse con el interruptor es peligrosa y debe ser reparada.

Desconecte el enchufe de la fuente de alimentación y/o retire las baterías, si es desmontable, de la herramienta eléctrica antes de realizar ajustes, cambiar accesorios o almacenar las herramientas eléctricas.
 Estas medidas preventivas de seguridad reducen el riesgo de encender la herramienta eléctrica accidentalmente.

Guarde las herramientas eléctricas inactivas fuera del alcance de los niños y no permita que personas no familiarizadas con la herramienta eléctrica o estas instrucciones la utilicen.
 Las herramientas eléctricas son peligrosas en manos de usuarios no capacitados.



Código	102865
Rebajadora compacta inalámbrica	103262

Descripción	20 V ~
Tensión	10 000 r/min - 30 000 r/min
Velocidad	6.5 mm (1/4")
Mordaza	28.5 mm (1-1/8")

Batería	Ion-litio 20 V ~ ~ 4 Ah Tiempo de carga: 180 min aproximadamente
Cargador	Entrada: Tensión: 127 V ~ Frecuencia: 60 Hz Potencia: 55 W Salida: 11 V ~ - 21 V ~ ~ Corriente: 2 A
NO INCLUIDO	

Aislamiento	Clase II
Grado IP	IP 20

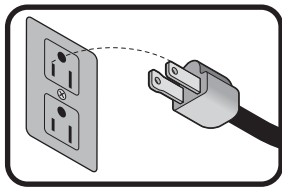
El cable de alimentación del cargador tiene sujeta-cables tipo: Y La clase de construcción de la herramienta es: Clase III. La clase de construcción del cargador es: Aislamiento reforzado

ADVERTENCIA Si el cable de alimentación se daña, éste debe ser reemplazado por el fabricante o Centro de Servicio Autorizado TRUPER, con el fin de evitar algún riesgo de descarga o accidente considerable. La construcción del aislamiento eléctrico de esta herramienta es alterado por salpicaduras o derramamiento de líquidos durante su operación. No la exponga a la lluvia, líquidos y/o humedad. Antes de obtener acceso a las terminales, todos los circuitos de alimentación deben ser desconectados.



Requerimientos eléctricos

ADVERTENCIA Las herramientas de doble aislamiento y aislamiento reforzado están equipadas con una clavija polarizada (una pata es más ancha que la otra). Estas clavijas cabe en cualquier enchufe polarizado y sólo puede conectarse de una forma. Si la clavija no cabe en el enchufe, voltéelo. Si aún así no cabe, póngase en contacto con un electricista calificado o instale un enchufe polarizado. No altere la clavija en forma alguna. Ambos tipos de aislamiento eliminan la necesidad de un cable de corriente de tres partes con conexión a tierra o de un sistema de corriente eléctrica con conexión a tierra.



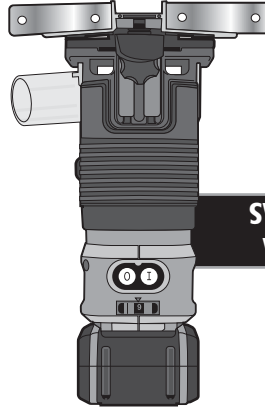
ADVERTENCIA Al usar un cable de extensión, asegúrese de usar el cable suficiente para transportar la corriente que consumirá su herramienta. Un cable de un calibre inferior ocasionará caídas de tensión en la línea, teniendo como resultado pérdida de potencia y sobrecalentamiento del motor. La siguiente tabla muestra el tamaño correcto que debe usarse dependiendo de la longitud del cable y de la capacidad de amperes indicada en la placa de datos de la herramienta. Si tiene dudas use el siguiente calibre más alto.

Capacidad en Amperes	Número de conductores	Calibre de extensión
de 0 A hasta 10 A	3 (uno a tierra)	de 1.8 m a 15 m mayor de 15 m
de 10 A hasta 13 A		18 AWG(*)
de 13 A hasta 15 A		16 AWG
de 15 A hasta 20 A		14 AWG
		12 AWG
		8 AWG
		6 AWG

* Se permite utilizar siempre y cuando las extensiones mismas cuenten con un artefacto de protección contra sobrecorriente. AWG = Calibre de alambre estadounidense (American Wire Gauge). Referencia: NMX-F-195-AWCE

ADVERTENCIA Al operar herramientas eléctricas en exteriores, utilice una extensión aterrizada marcada como "Uso exterior" marca **VOLTECK**. Estas extensiones son especiales para el uso en exteriores y reducen el riesgo de sufrir una descarga eléctrica.





3	Especificaciones técnicas.
3	Requerimientos eléctricos.
4	Advertencias generales de seguridad para herramientas eléctricas.
6	Advertencias de seguridad para el cargador de baterías.
6	Advertencias de seguridad para las baterías.
7	Advertencias de seguridad para uso de rebajadoras.
8	Partes.
9	Preparación.
13	Operación.
15	Mantenimiento.
16	Protección ambiental.
17	Solución de problemas.
18	Notas.
19	Centros de servicio autorizados.
20	Póliza de garantía.

Guarde este instructivo para futuras referencias. Los gráficos de este instructivo son para referencia, pueden variar del aspecto real de la herramienta.

Para poder sacar el máximo provecho de la herramienta, alargue su vida útil, hacer válida la garantía en caso de ser necesario y evitar riesgos o lesiones graves, es fundamental leer este instructivo por completo antes de usar la herramienta.

ATENCIÓN

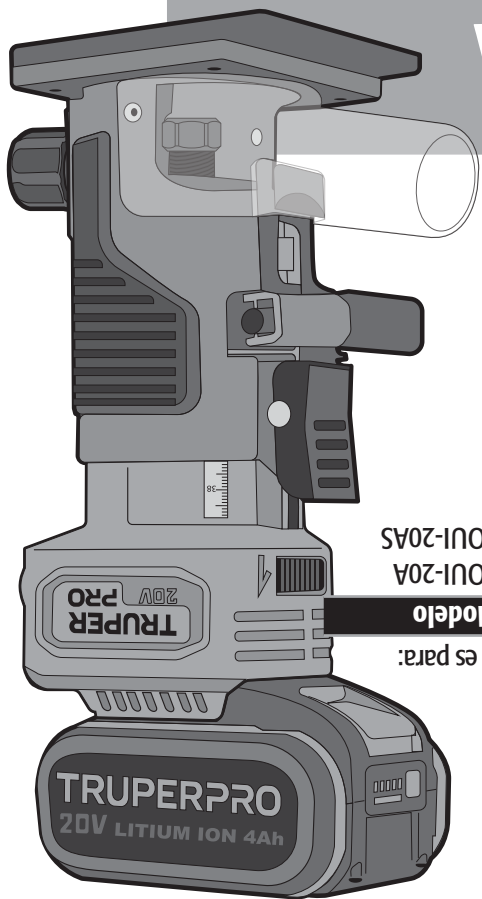


Lea este Instructivo por completo antes de usar la herramienta.



ATENCIÓN

ROU1-20A



103262 ROU1-20AS
102865 ROU1-20A

Código Modelo

Este instructivo es para:

Rebajadora compacta inalámbrica

Instructivo de

6.5 mm
1/4"
Morza

TRUPER PRO

ESPAÑOL
ENGLISH